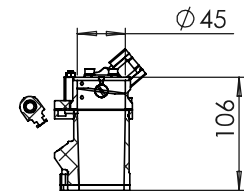
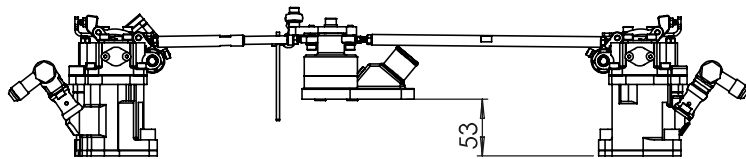
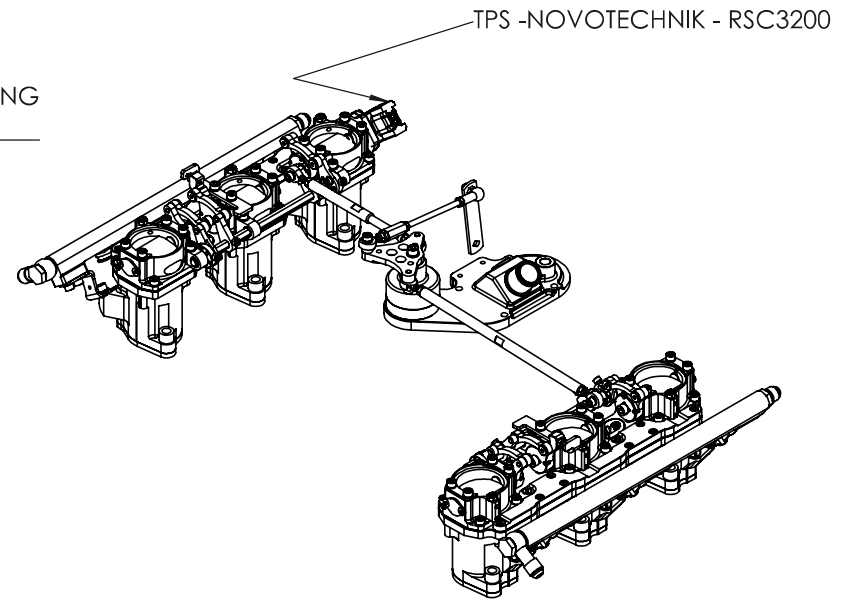


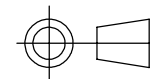
22  
FROM SIDE OF THROTTLE HOUSING  
TO SIDE OF LEVER ARM



SECTION A-A



S-CAN 3D Ltd  
Bunns Bank Ind Est  
Atheborough NR17 1QD



THIRD ANGLE PROJECTION

SCALE 1:5 WEIGHT 5419.044 kg

DRAWN- S.HOW

DATE - 12/05/21

CHECKED - S.HOW

APPROVED - A.CLIFTON

UNLESS OTHERWISE STATED:  
DIMENSIONS IN MILLIMETRES  
TOLERANCES: LINEAR ± 0.1 ANGULAR ± 0.5°  
SURFACE FINISH ✓ = ✓  
DRAWING STANDARDS TO ATQS 6003  
DATE FORMAT: DD/MM/YY

THIS DESIGN IS THE PROPERTY OF  
S-CAN 3D LTD AND MUST NOT BE  
REPRODUCED OR COMMUNICATED  
WITHOUT AUTHORITY

CAD PLOT  
DO NOT  
SCALE

MATERIAL

SEE COMPONENT PARTS

FINISH

SEE COMPONENT PARTS

DRAWING TITLE

PORSCHE 911 CARRERA-  
1984-89 - 42 DIA PORT TO 45  
- CABLE

DRAWING NUMBER

102-102-00269

SHEET 2 OF 2 A3