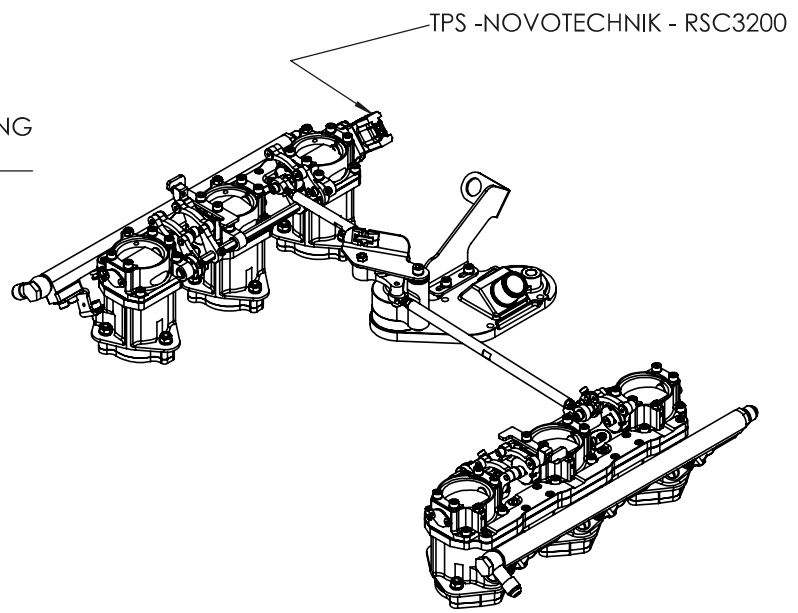
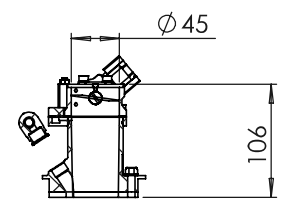
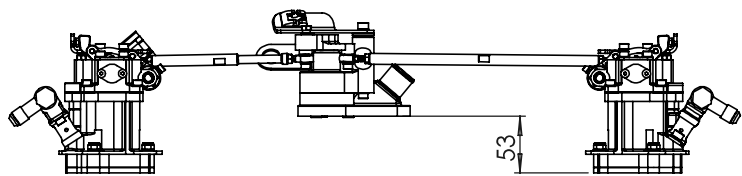


22  
FROM SIDE OF THROTTLE HOUSING  
TO SIDE OF LEVER ARM

22  
FROM SIDE OF THROTTLE HOUSING  
TO SIDE OF LEVER ARM

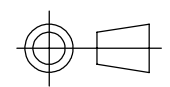


TPS -NOVOTECHNIK - RSC3200



SECTION A-A

S-CAN 3D Ltd  
Bunns Bank Ind Est  
Atheborough NR17 1QD



THIRD ANGLE PROJECTION

SCALE 1:5 WEIGHT 5919.888 kg

DRAWN- S.HOW

DATE - 12/05/21

CHECKED - S.HOW

APPROVED - A.CLIFTON

UNLESS OTHERWISE STATED:  
DIMENSIONS IN MILLIMETRES  
TOLERANCES: LINEAR ± 0.1 ANGULAR ± 0.5°  
SURFACE FINISH ✓ = ✓  
DRAWING STANDARDS TO ATQS 6003  
DATE FORMAT: DD/MM/YY  
THIS DESIGN IS THE PROPERTY OF  
S-CAN 3D LTD AND MUST NOT BE  
REPRODUCED OR COMMUNICATED  
WITHOUT AUTHORITY

CAD PLOT  
DO NOT  
SCALE

MATERIAL	SEE COMPONENT PARTS
FINISH	SEE COMPONENT PARTS
DRAWING TITLE	PORSCHE 964-993 - 1989-98 - 43 DIA PORT TO 45 - CABLE
DRAWING NUMBER	102-102-00271