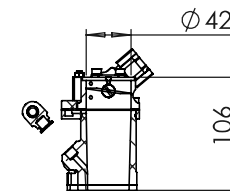
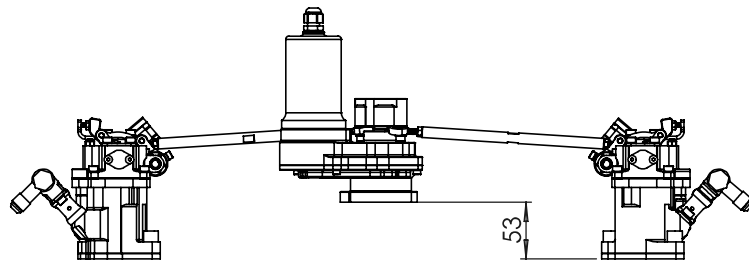
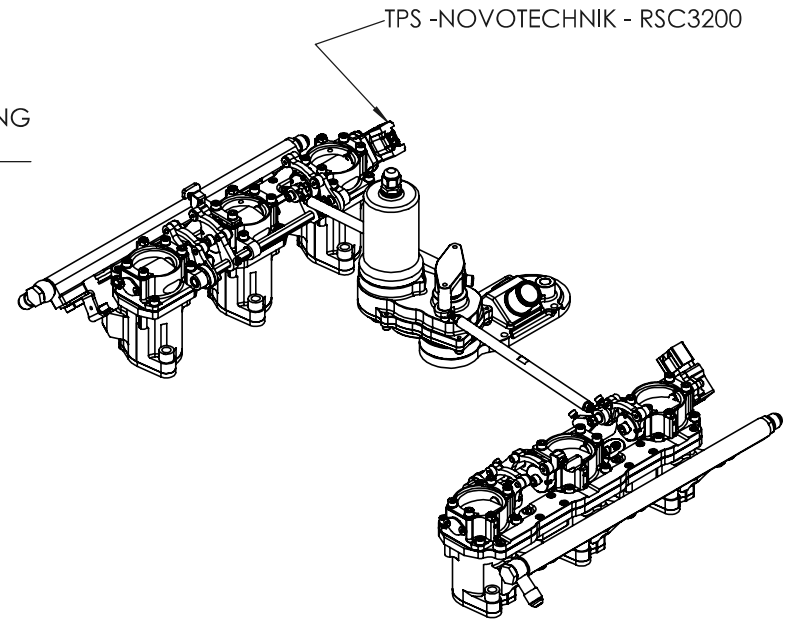


24  
FROM SIDE OF THROTTLE HOUSING  
TO SIDE OF LEVER ARM

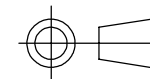
17.500  
FROM SIDE OF THROTTLE HOUSING  
TO SIDE OF LEVER ARM



SECTION A-A



S-CAN 3D Ltd  
Bunns Bank Ind Est  
Atteborough NR17 1QD



THIRD ANGLE PROJECTION

SCALE	WEIGHT
1:5	6457.766 kg

DRAWN- S.HOW

DATE - 13/05/21

CHECKED - S.HOW

APPROVED - A.CLIFTON

UNLESS OTHERWISE STATED:  
DIMENSIONS IN MILLIMETRES  
TOLERANCES: LINEAR  $\pm 0.1$  ANGULAR  $\pm 0.5^\circ$   
SURFACE FINISH  $\checkmark = \checkmark$   
DRAWING STANDARDS TO ATQS 6003  
DATE FORMAT: DD/MM/YY

THIS DESIGN IS THE PROPERTY OF  
S-CAN 3D LTD AND MUST NOT BE  
REPRODUCED OR COMMUNICATED  
WITHOUT AUTHORITY

CAD PLOT  
DO NOT  
SCALE

MATERIAL

SEE COMPONENT PARTS

FINISH

SEE COMPONENT PARTS

DRAWING TITLE

PORSCHE 911-SC - 3.0L  
1978-83 - 39 DIA PORT TO 42  
- DBW

DRAWING NUMBER

102-102-00277

SHEET 2 OF 2 A3