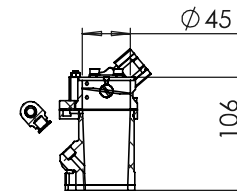
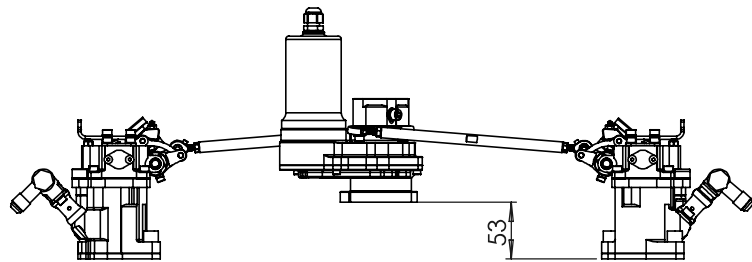
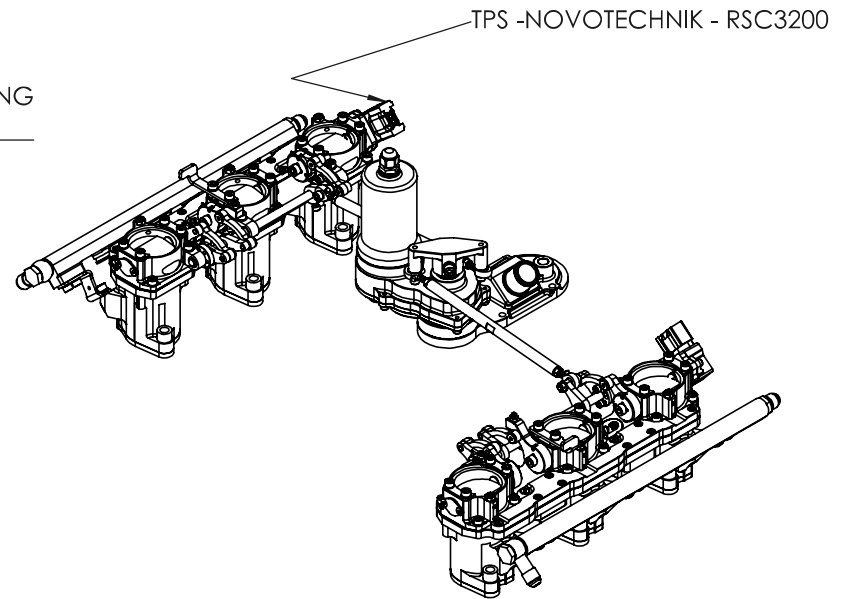


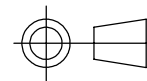
17.5
FROM SIDE OF THROTTLE HOUSING
TO SIDE OF LEVER ARM



SECTION A-A



S-CAN 3D Ltd
Bunns Bank Ind Est
Atleborough NR17 1QD



THIRD ANGLE PROJECTION

SCALE 1:5	WEIGHT 6311.055 kg
--------------	-----------------------

DRAWN- S.HOW

DATE - 13/05/21

CHECKED - S.HOW

APPROVED - A.CLIFTON

UNLESS OTHERWISE STATED:
DIMENSIONS IN MILLIMETRES
TOLERANCES: LINEAR ± 0.1 ANGULAR $\pm 0.5^\circ$
SURFACE FINISH $\sqrt{\text{ }}$ = $\sqrt{\text{ }}$
DRAWING STANDARDS TO ATQS 6003
DATE FORMAT: DD/MM/YY

THIS DESIGN IS THE PROPERTY OF
S-CAN 3D LTD AND MUST NOT BE
REPRODUCED OR COMMUNICATED
WITHOUT AUTHORITY

CAD PLOT
DO NOT
SCALE

MATERIAL

SEE COMPONENT PARTS

FINISH

SEE COMPONENT PARTS

DRAWING TITLE

PORSCHE 911 - 1978-89 - 40
DIA PORT TO 45 - DBW

DRAWING NUMBER

102-102-00278

SHEET 2 OF 2 A3