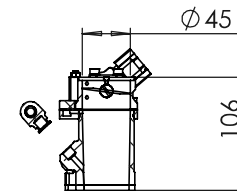
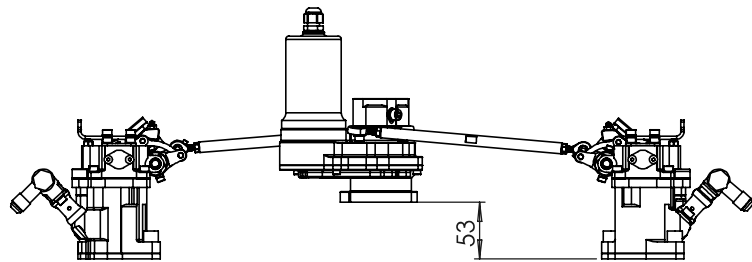
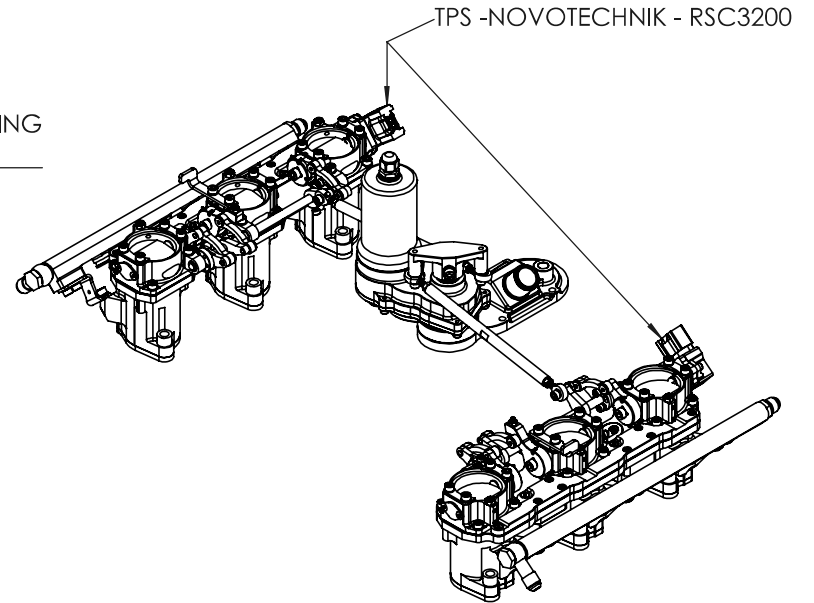


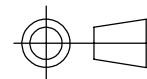
17.5  
FROM SIDE OF THROTTLE HOUSING  
TO SIDE OF LEVER ARM



SECTION A-A



S-CAN 3D Ltd  
Bunns Bank Ind Est  
Atheborough NR17 1QD



THIRD ANGLE PROJECTION

SCALE 1:5	WEIGHT 6236.404 kg
--------------	-----------------------

DRAWN- S.HOW

DATE - 13/05/21

CHECKED - S.HOW

APPROVED - A.CLIFTON

CAD PLOT  
DO NOT  
SCALE

UNLESS OTHERWISE STATED:  
DIMENSIONS IN MILLIMETRES  
TOLERANCES: LINEAR  $\pm 0.1$  ANGULAR  $\pm 0.5^\circ$   
SURFACE FINISH  $\sqrt{\text{ }}$   
DRAWING STANDARDS TO ATQS 6003  
DATE FORMAT: DD/MM/YY

THIS DESIGN IS THE PROPERTY OF  
S-CAN 3D LTD AND MUST NOT BE  
REPRODUCED OR COMMUNICATED  
WITHOUT AUTHORITY

MATERIAL

SEE COMPONENT PARTS

FINISH

SEE COMPONENT PARTS

DRAWING TITLE

PORSCHE 911 - 1978-89 - 42  
DIA PORT TO 45 - DBW

DRAWING NUMBER

102-102-00279

SHEET 2 OF 2 A3