

RIGHT HAND PULL LINKAGE

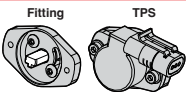
SELECT RIGHT SIDE TPS

WABASH SHOWN

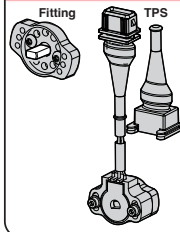
OEM STEEL GASKET REQUIRED  
NOT SUPPLIED

LEFT SIDE

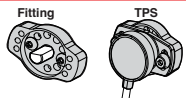
Magneti Marelli Type



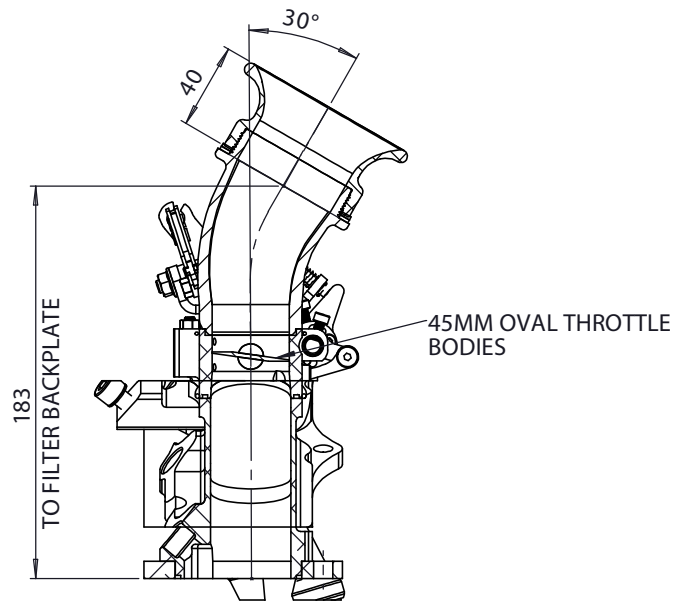
Wabash



Variohm XPD

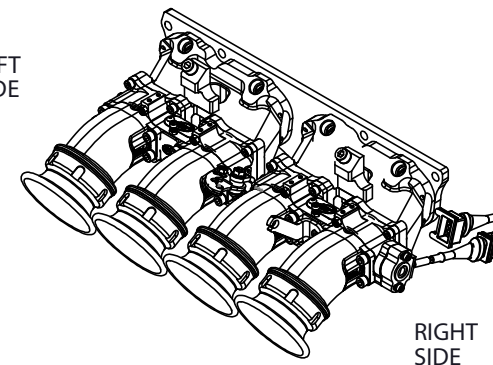


USE STANDARD (OEM)  
INJECTORS AND FUEL RAIL  
NOT SUPPLIED

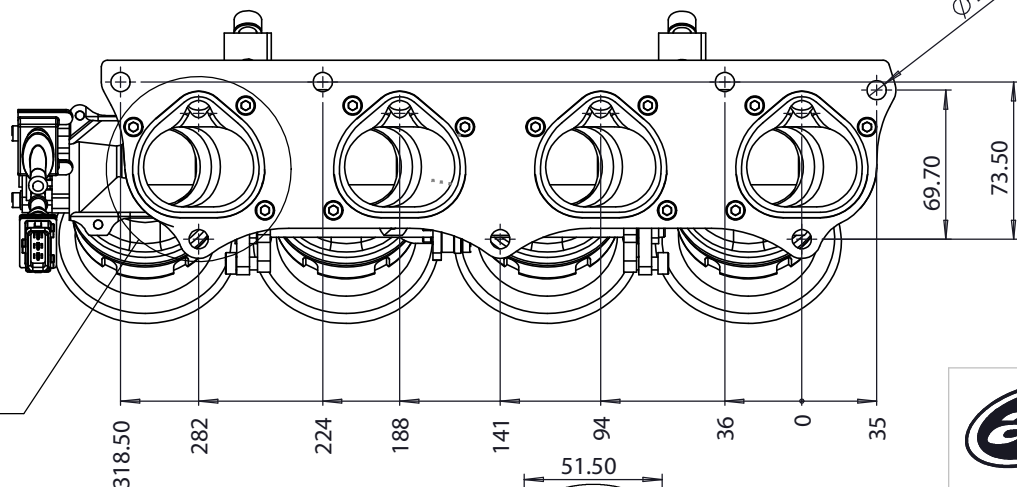


SECTION A-A

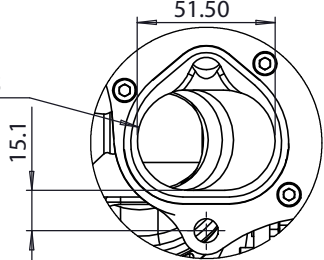
LEFT SIDE



RIGHT SIDE



TRUE R18.75

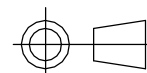


DETAIL B  
SCALE 1 : 2

NOTE:  
THIS PRODUCT REQUIRES AN  
AFTERMARKET ENGINE MANAGEMENT  
SYSTEM (ECU) FOR CORRECT ENGINE  
FUELING OPERATION



S-CAN 3D Ltd  
Bunns Bank Ind Est  
Attleborough NR17 1QD



THIRD ANGLE PROJECTION

SCALE 1:2.5 WEIGHT 3.781 kg

DRAWN- S.HOW

DATE- 17/05/22

CHECKED - S.HOW

APPROVED - S.HOW

UNLESS OTHERWISE STATED:  
DIMENSIONS IN MILLIMETRES  
TOLERANCES: LINEAR  $\pm 0.1$  ANGULAR  $\pm 0.5^\circ$   
SURFACE FINISH  $\sqrt{}$  =  $\sqrt{}$   
DRAWING STANDARDS TO ATQS 6003  
DATE FORMAT: DD/MM/YY

THIS DESIGN IS THE PROPERTY OF  
S-CAN 3D LTD AND MUST NOT BE  
REPRODUCED OR COMMUNICATED  
WITHOUT AUTHORITY

CAD PLOT  
DO NOT  
SCALE

MATERIAL

SEE COMPONENT PARTS

FINISH

SEE COMPONENT PARTS

DRAWING TITLE

ASSY-TWIN-HONDA-K20-DC5-  
STAGGERED-STANDARD  
INSTALLATION KIT-ITG FILTER

DRAWING NUMBER

102-102-00372

SHEET 2 OF 2 A3