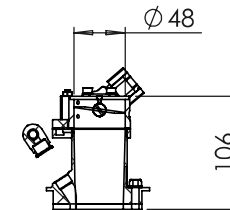
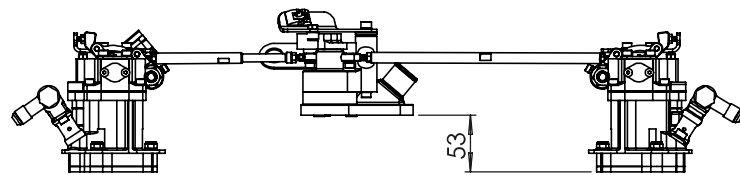
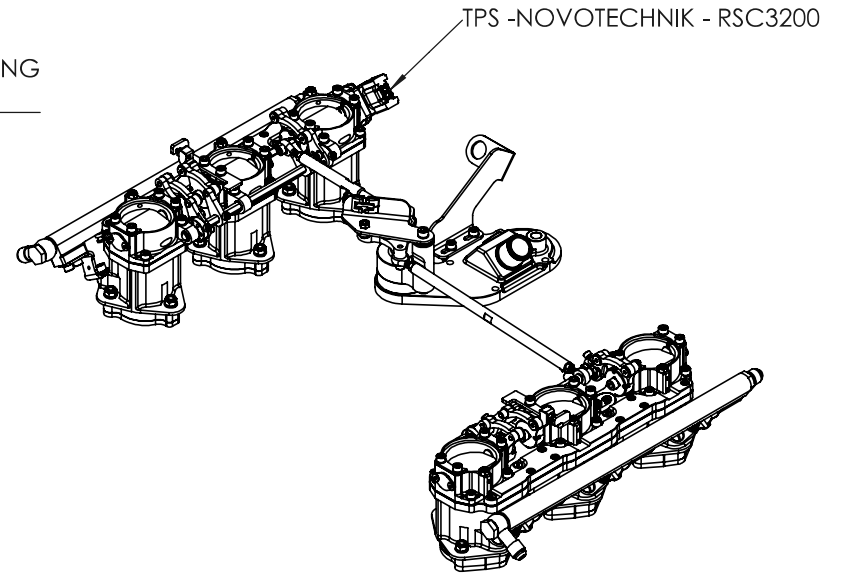

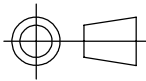


14.5
FROM SIDE OF THROTTLE HOUSING
TO SIDE OF LEVER ARM



SECTION A-A

 S-CAN 3D Ltd Bunns Bank Ind Est Atleborough NR17 1QD	 THIRD ANGLE PROJECTION	MATERIAL	SEE COMPONENT PARTS
		FINISH	SEE COMPONENT PARTS
<small>UNLESS OTHERWISE STATED: DIMENSIONS IN MILLIMETRES TOLERANCES: LINEAR ± 0.1 ANGULAR ± 0.5° SURFACE FINISH ✓ = ✓ DRAWING STANDARDS TO ATQS 6003 DATE FORMAT: DD/MM/YY</small> <small>THIS DESIGN IS THE PROPERTY OF S-CAN 3D LTD AND MUST NOT BE REPRODUCED OR COMMUNICATED WITHOUT AUTHORITY</small>	SCALE 1:5	WEIGHT 5721.328 kg	DRAWING TITLE
	DRAWN- S.HOW	DATE - 05/12/23	PORSCHE 964-993 - 1989-98 - 45 DIA PORT TO 48 - CABLE
	CHECKED - S.HOW	APPROVED - A.CLIFTON	DRAWING NUMBER
CAD PLOT DO NOT SCALE			102-102-00482
			SHEET 2 OF 2 A3