

RIGHT SIDE

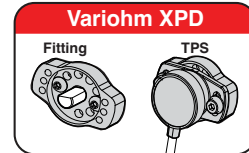
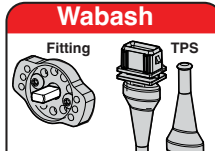
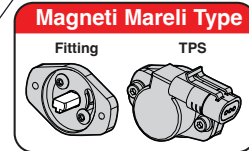
LEFT SIDE

MEGAFLOW AIR FILTER SOLD SEPARATLY
JC50/S65
PART N). 102-108-00039

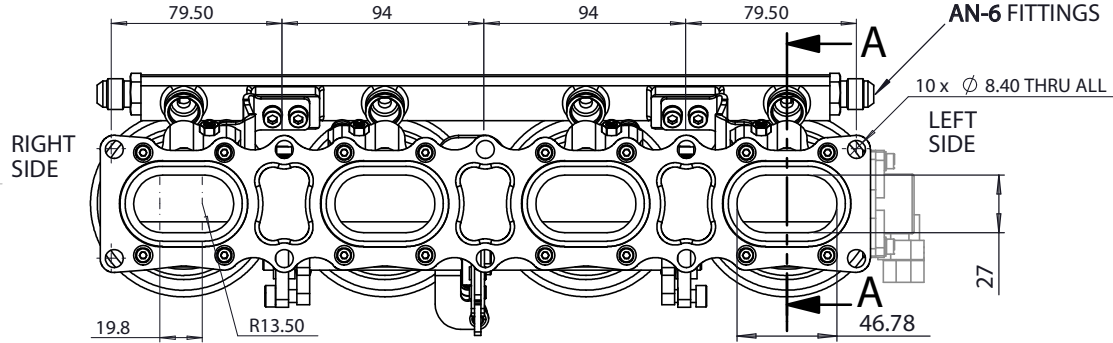
RIGHT SIDE

LEFT SIDE

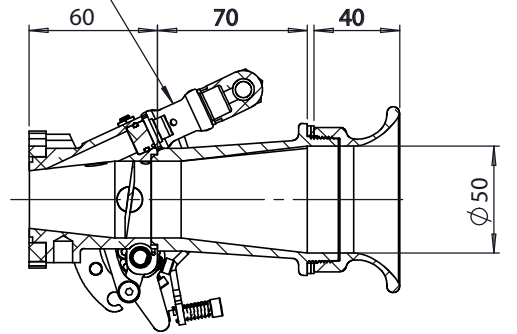
LEFT HAND SIDE TPS
OPTIONS AVAILABLE



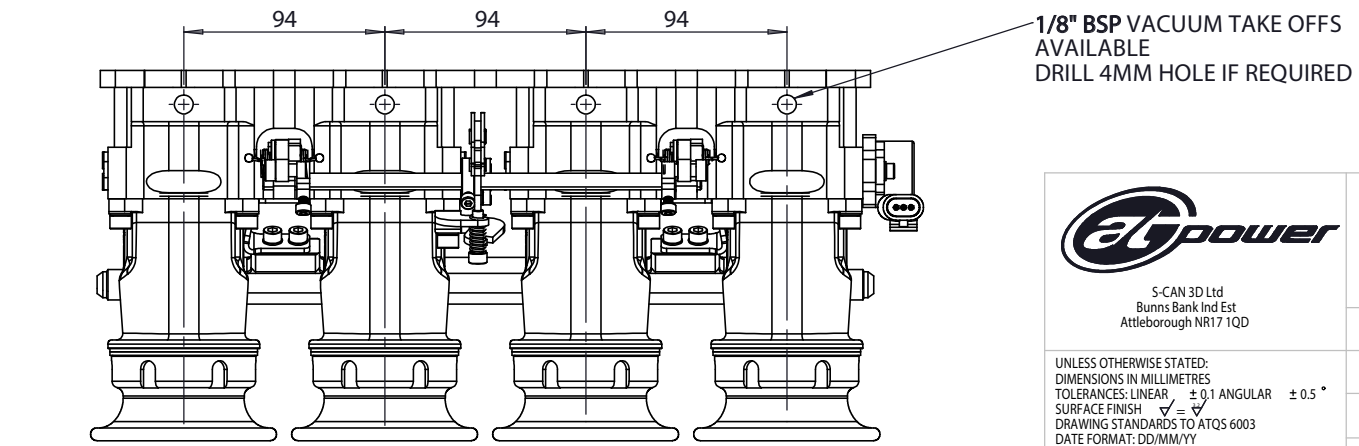
CENTER PULL CABLE LINKAGE
AND IDLE ADJUSTMENT



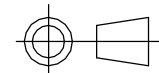
SUITABLE FOR PICO
FUEL INJECTORS



SECTION A-A



S-CAN 3D Ltd
Bunns Bank Ind Est
Attleborough NR17 1QD



THIRD ANGLE PROJECTION
SCALE 1:2.5 WEIGHT 2.816 kg

DRAWN- S.HOW
DATE- 11/11/25
CHECKED- S.HOW
APPROVED- S.HOW

UNLESS OTHERWISE STATED:
DIMENSIONS IN MILLIMETRES
TOLERANCES: LINEAR ±0.1 ANGULAR ±0.5°
SURFACE FINISH √ = √
DRAWING STANDARDS TO ATQS 6003
DATE FORMAT: DD/MM/YY

THIS DESIGN IS THE PROPERTY OF
S-CAN 3D LTD AND MUST NOT BE
REPRODUCED OR COMMUNICATED
WITHOUT AUTHORITY

CAD PLOT
DO NOT
SCALE

MATERIAL	SEE COMPONENT PARTS
FINISH	SEE COMPONENT PARTS
DRAWING TITLE	ASSY - SUZUKI SWIFT - 45MM - PRE-CONFIGURED
DRAWING NUMBER	102-102-00630