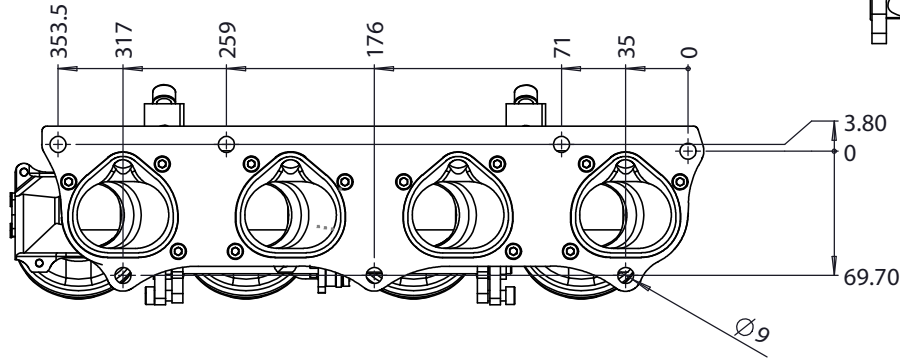
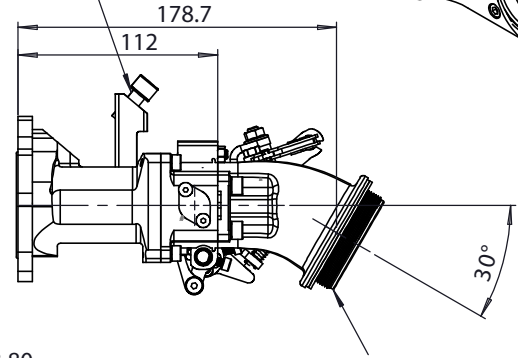
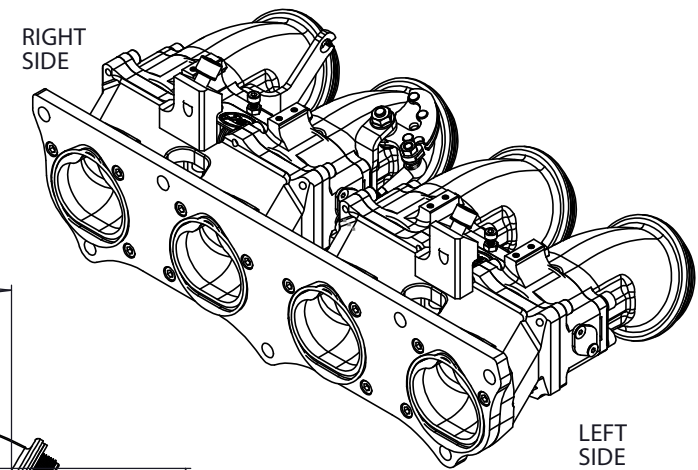


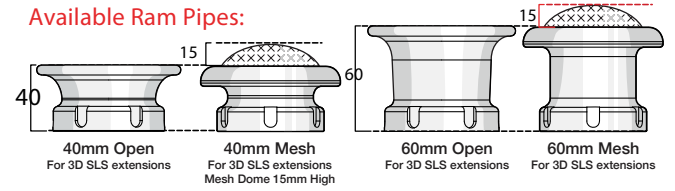
TPS TO BE FITTED ON RIGHT SIDE ONLY. TPS OPTIONS ARE AVAILABLE

BRACKETS SUPPLIED TO SUITE OEM FUEL RAIL AND FUEL INJECTORS

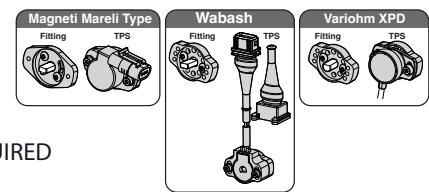


Ensure sizes fit in engine

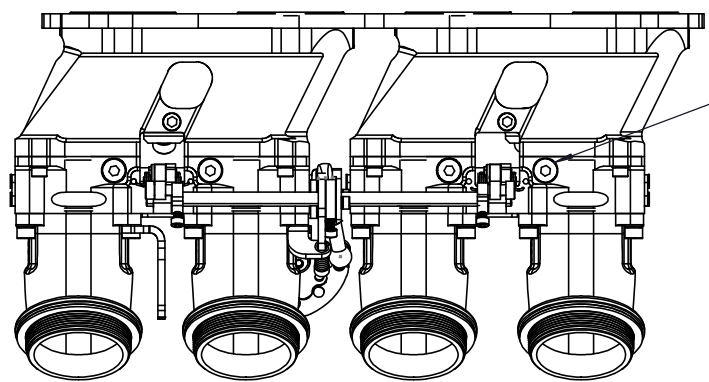
Available Ram Pipes:



Available Right Side TPS Options



4 X 1/8" BSP PLUGS FITTED FOR VACUUM TAKE OFF IF REQUIRED



<p>S-CAN 3D Ltd Bunns Bank Ind Est Attleborough NR17 1QD</p>	<p>THIRD ANGLE PROJECTION</p>	MATERIAL	SEE COMPONENT PARTS	
		FINISH	SEE COMPONENT PARTS	
<p>UNLESS OTHERWISE STATED: DIMENSIONS IN MILLIMETRES TOLERANCES: LINEAR ±0.1 ANGULAR ±0.5° SURFACE FINISH √ = √ DRAWING STANDARDS TO ATQS 6003 DATE FORMAT: DD/MM/YY</p> <p>THIS DESIGN IS THE PROPERTY OF S-CAN 3D LTD AND MUST NOT BE REPRODUCED OR COMMUNICATED WITHOUT AUTHORITY</p>	SCALE 1:3	WEIGHT 3.285 kg	<p>DRAWING TITLE</p> <p>ASSY - HOUSING - TWIN - HONDA - K20 - DC5 - STAGGERED - CABLE</p>	
	DRAWN- S.HOW	DATE- 07/06/22		DRAWING NUMBER
	CHECKED- S.HOW	APPROVED- S.HOW		102-104-00117
CAD PLOT DO NOT SCALE			SHEET 2 OF 2 A3	