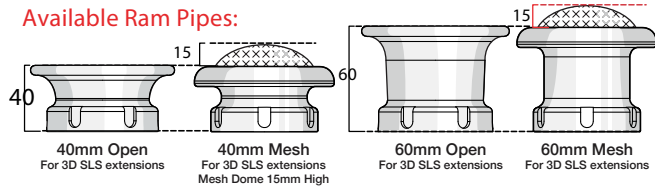


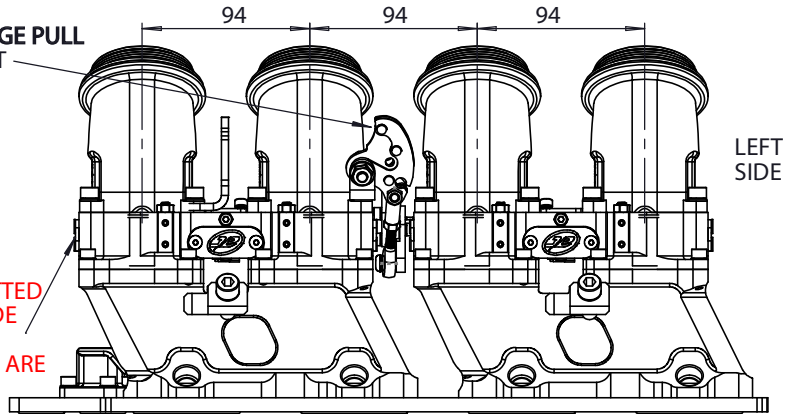
**Ensure sizes fit in engine**

**Available Ram Pipes:**

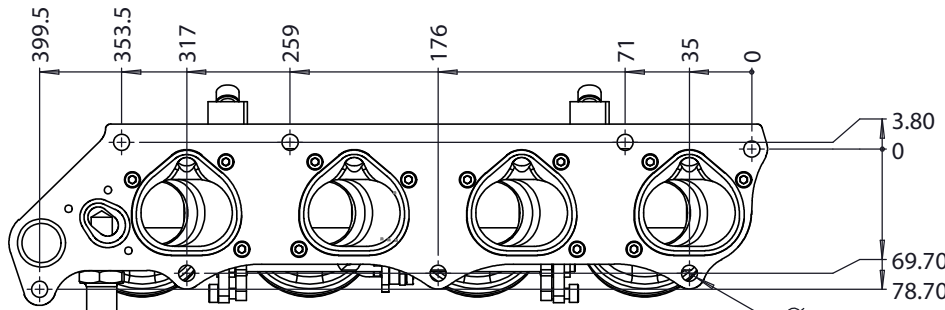


CABLE LINKAGE PULL TO THE RIGHT

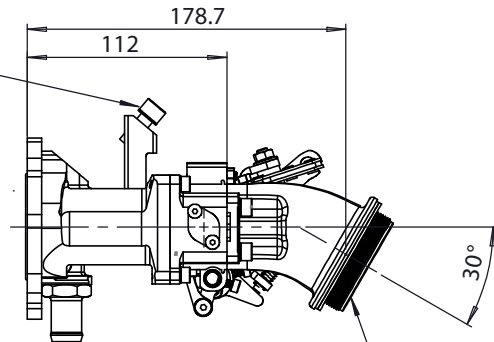
TPS TO BE FITTED ON RIGHT SIDE ONLY. TPS OPTIONS ARE AVAILABLE



LEFT SIDE

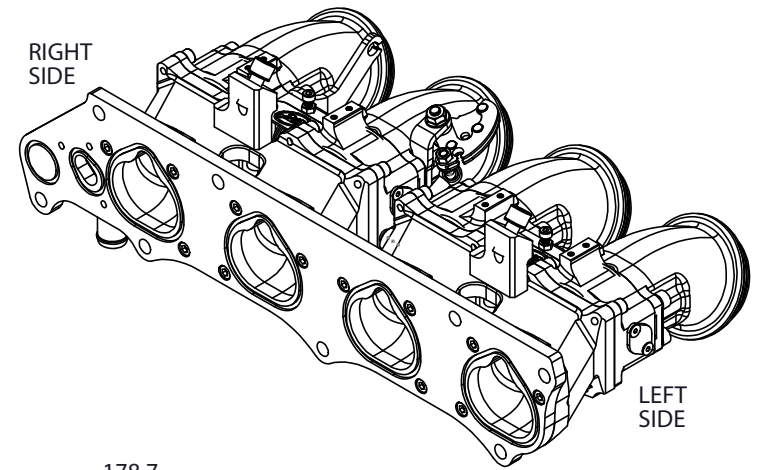
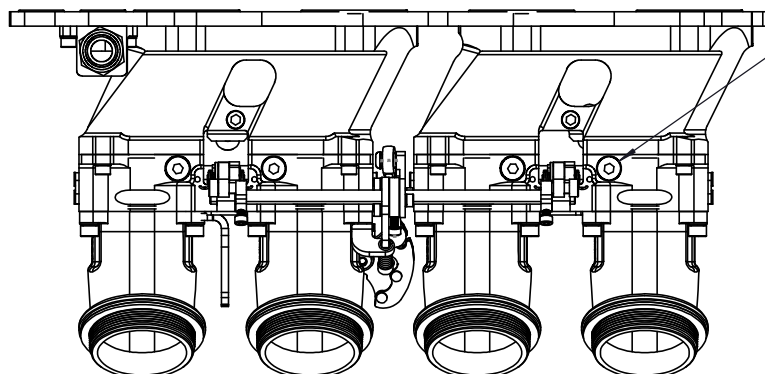


BRACKETS SUPPLIED TO SUITE OEM FUEL RAIL AND FUEL INJECTORS

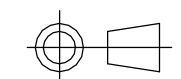


FOR RAM PIPES SEE OPTIONS AVAILABLE

4 X 1/8" BSP PLUGS FITTED FOR VACUUM TAKE OFF IF REQUIRED



S-CAN 3D Ltd  
Bunns Bank Ind Est  
Attleborough NR17 1QD



THIRD ANGLE PROJECTION

SCALE 1:3 WEIGHT 3.433 kg

DRAWN- S.HOW

DATE- 28/04/22

CHECKED- S.HOW

APPROVED- S.HOW

UNLESS OTHERWISE STATED:  
DIMENSIONS IN MILLIMETRES  
TOLERANCES: LINEAR ±0.1 ANGULAR ±0.5°  
SURFACE FINISH √ = √  
DRAWING STANDARDS TO ATQS 6003  
DATE FORMAT: DD/MM/YY

THIS DESIGN IS THE PROPERTY OF S-CAN 3D LTD AND MUST NOT BE REPRODUCED OR COMMUNICATED WITHOUT AUTHORITY

CAD PLOT DO NOT SCALE

MATERIAL	SEE COMPONENT PARTS
FINISH	SEE COMPONENT PARTS
DRAWING TITLE	ASSY - HOUSING - TWIN - HONDA - K20 - FD2 - STAGGERED - <b>CABLE</b>
DRAWING NUMBER	102-104-00133