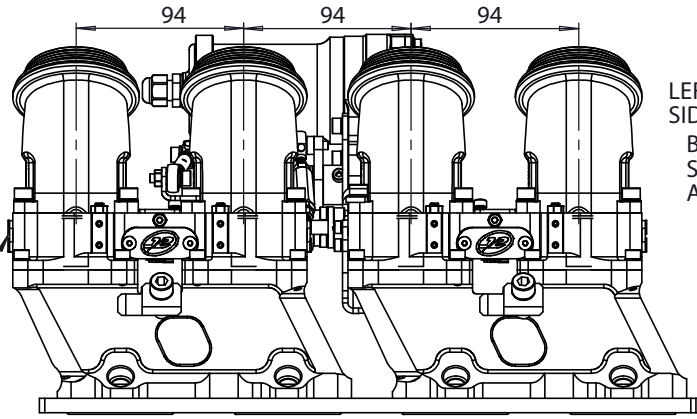


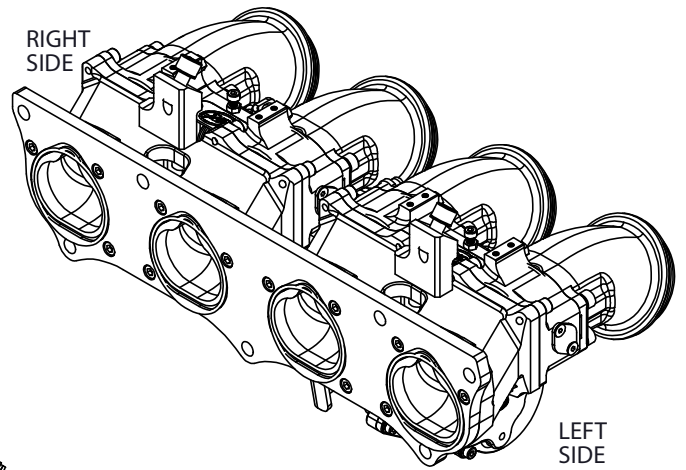
RIGHT SIDE



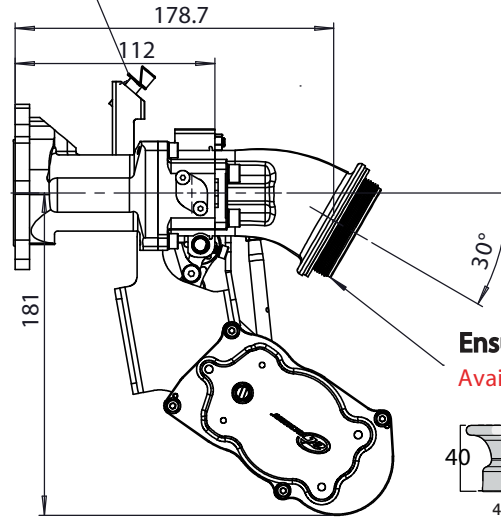
LEFT SIDE

BRACKETS SUPPLIED TO SUITE OEM FUEL RAIL AND FUEL INJECTORS

TPS TO BE FITTED ON RIGHT SIDE ONLY. TPS OPTIONS ARE AVAILABLE

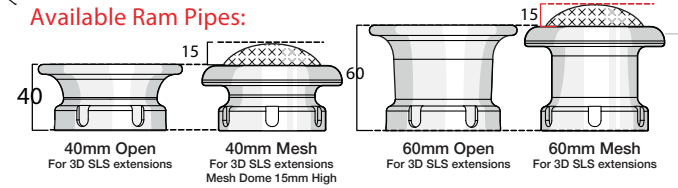


LEFT SIDE

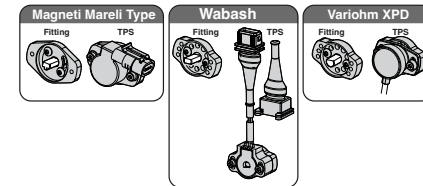


Ensure sizes fit in engine

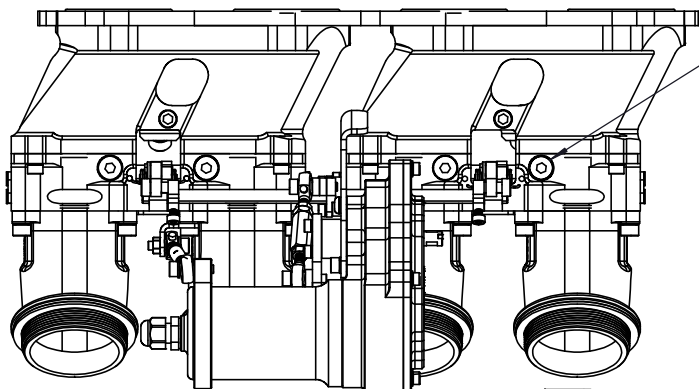
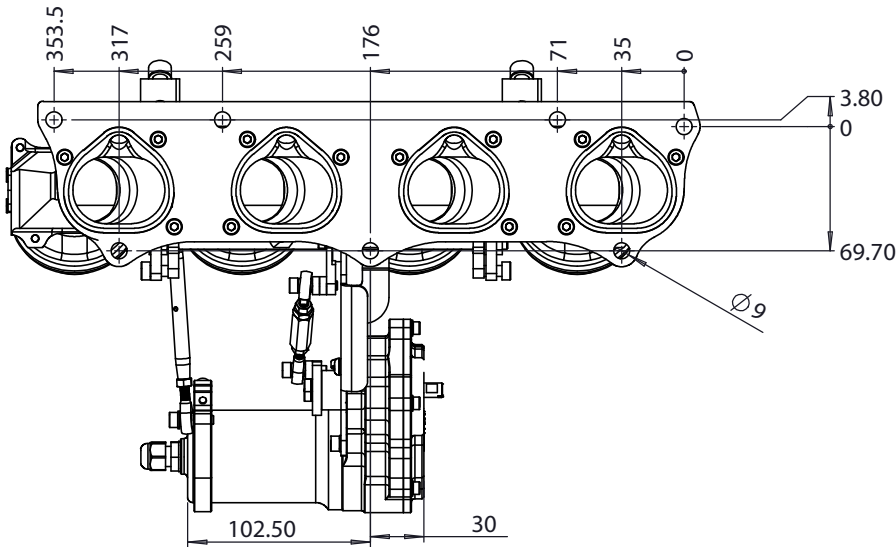
Available Ram Pipes:



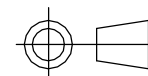
Available Right Side TPS Options



4 X 1/8" BSP PLUGS FITTED FOR VACUUM TAKE OFF IF REQUIRED



S-CAN 3D Ltd
Bunns Bank Ind Est
Attleborough NR17 1QD



THIRD ANGLE PROJECTION

SCALE 1:3 WEIGHT 4.481 kg

DRAWN- S.HOW

DATE- 03/03/26

CHECKED - S.HOW

APPROVED - S.HOW

UNLESS OTHERWISE STATED:
DIMENSIONS IN MILLIMETRES
TOLERANCES: LINEAR ±0.1 ANGULAR ±0.5°
SURFACE FINISH √ = √
DRAWING STANDARDS TO ATQS 6003
DATE FORMAT: DD/MM/YY

THIS DESIGN IS THE PROPERTY OF S-CAN 3D LTD AND MUST NOT BE REPRODUCED OR COMMUNICATED WITHOUT AUTHORITY

CAD PLOT DO NOT SCALE

MATERIAL

SEE COMPONENT PARTS

FINISH

SEE COMPONENT PARTS

DRAWING TITLE

ASSY - HOUSING - TWIN - HONDA - K20 - DC5 - STAGGERED - DBW

DRAWING NUMBER

102-104-00183