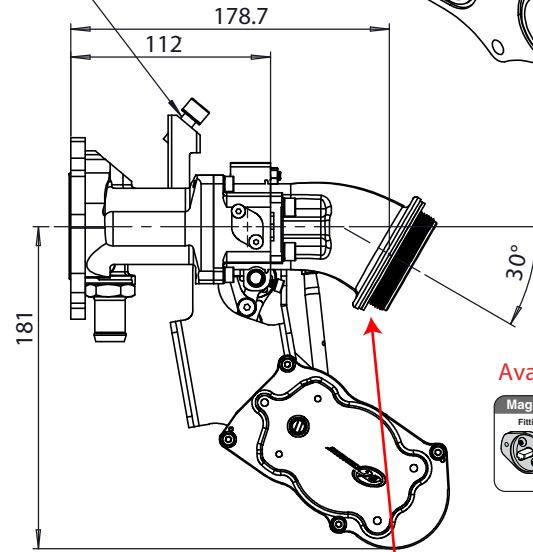
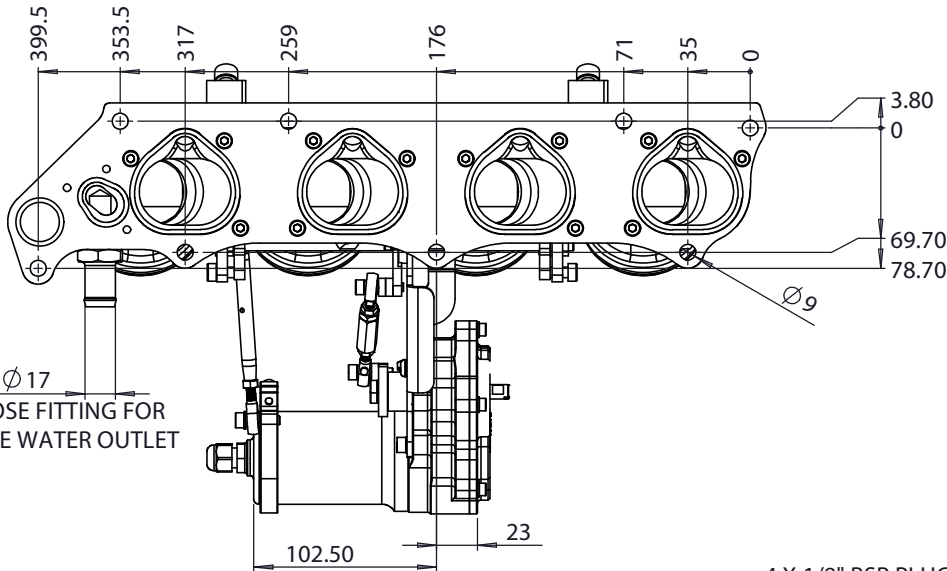
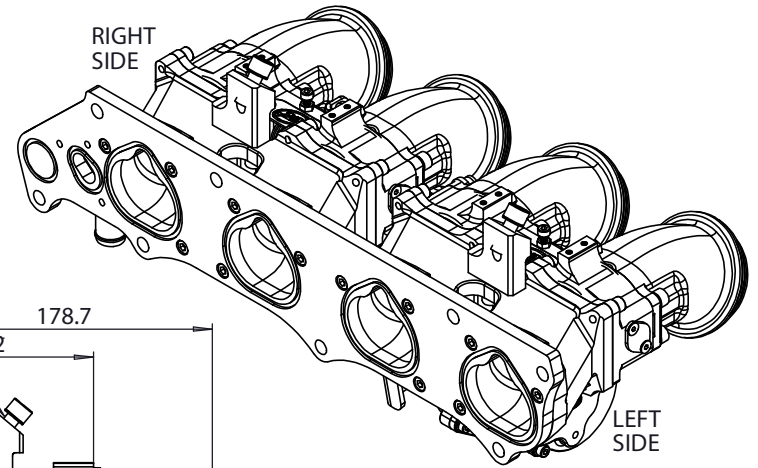
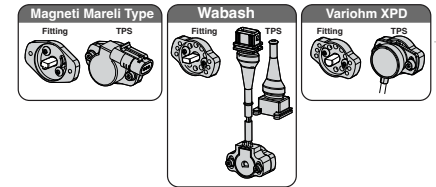


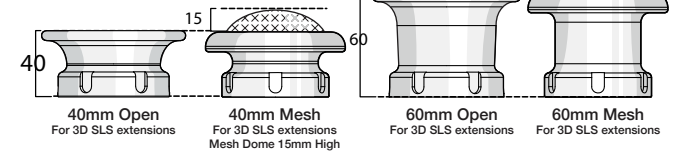
BRACKETS SUPPLIED TO SUITE OEM FUEL RAIL AND FUEL INJECTORS



Available Right Side TPS Options

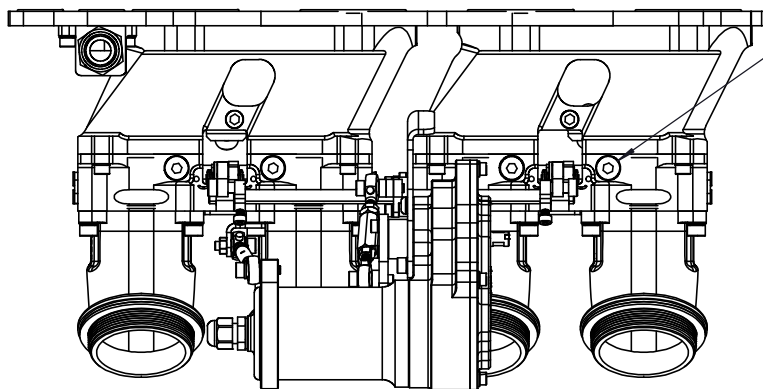


Available Ram Pipes:

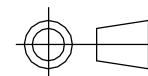


4 X 1/8" BSP PLUGS FITTED FOR VACUUM TAKE OFF IF REQUIRED

Ensure sizes fit in engine



S-CAN 3D Ltd
Bunns Bank Ind Est
Attleborough NR17 1QD



THIRD ANGLE PROJECTION

SCALE 1:3 WEIGHT 4.629 kg

DRAWN- S.HOW

DATE- 03/03/26

CHECKED - S.HOW

APPROVED - S.HOW

UNLESS OTHERWISE STATED:
DIMENSIONS IN MILLIMETRES
TOLERANCES: LINEAR ±0.1 ANGULAR ±0.5°
SURFACE FINISH √ = √
DRAWING STANDARDS TO ATQS 6003
DATE FORMAT: DD/MM/YY

THIS DESIGN IS THE PROPERTY OF S-CAN 3D LTD AND MUST NOT BE REPRODUCED OR COMMUNICATED WITHOUT AUTHORITY

CAD PLOT DO NOT SCALE

MATERIAL

SEE COMPONENT PARTS

FINISH

SEE COMPONENT PARTS

DRAWING TITLE

ASSY - HOUSING - TWIN - HONDA - K20 - FD2 - STAGGERED - **DBW**

DRAWING NUMBER

102-104-00184