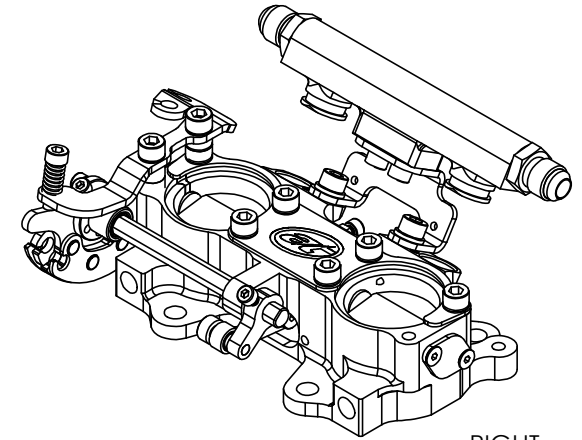
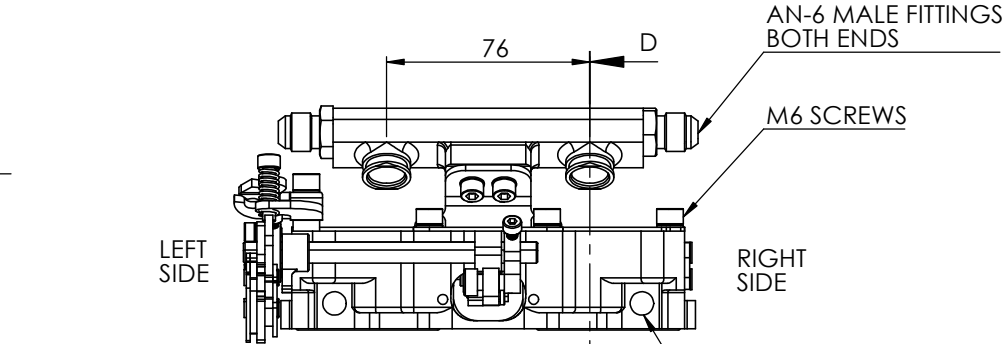


LEFT SIDE



RIGHT SIDE

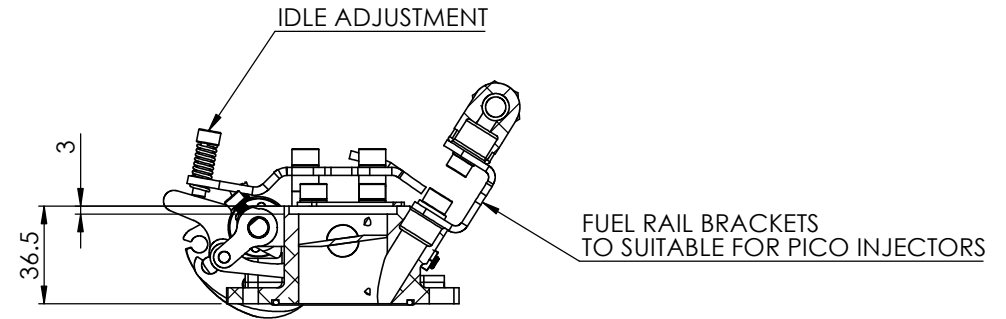


LEFT SIDE

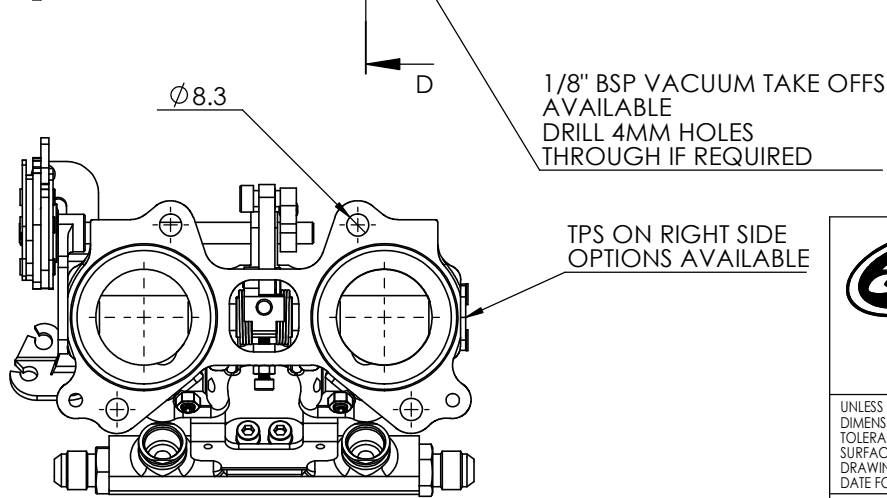
AN-6 MALE FITTINGS BOTH ENDS

M6 SCREWS

RIGHT SIDE


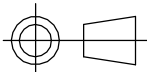


SECTION D-D



1/8" BSP VACUUM TAKE OFFS AVAILABLE
DRILL 4MM HOLES THROUGH IF REQUIRED

TPS ON RIGHT SIDE OPTIONS AVAILABLE

 S-CAN 3D Ltd Bunn's Bank Ind Est Attleborough NR17 1QD	 THIRD ANGLE PROJECTION		MATERIAL	SEE COMPONENT PARTS
	SCALE 1:2	WEIGHT 0.8 kg	FINISH	SEE COMPONENT PARTS
UNLESS OTHERWISE STATED: DIMENSIONS IN MILLIMETRES TOLERANCES: LINEAR ±0.1 ANGULAR ±0.5° SURFACE FINISH √ = √ DRAWING STANDARDS TO ATQS 6003 DATE FORMAT: DD/MM/YY		DRAWN- S.HOW	DRAWING TITLE	
THIS DESIGN IS THE PROPERTY OF S-CAN 3D LTD AND MUST NOT BE REPRODUCED OR COMMUNICATED WITHOUT AUTHORITY		DATE - 09/11/22	ASSY - DCOE - 2-CYL - CENTER PULL - 36MM - INJECTED - ALI EXT	
CAD PLOT DO NOT SCALE	CHECKED - S.HOW	APPROVED - S.HOW	DRAWING NUMBER	
			102-121-00001	