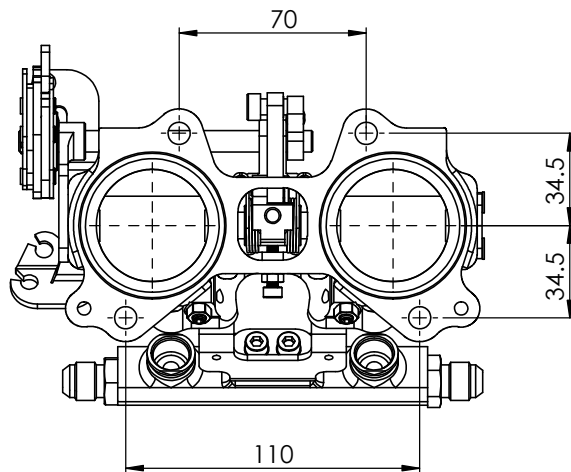
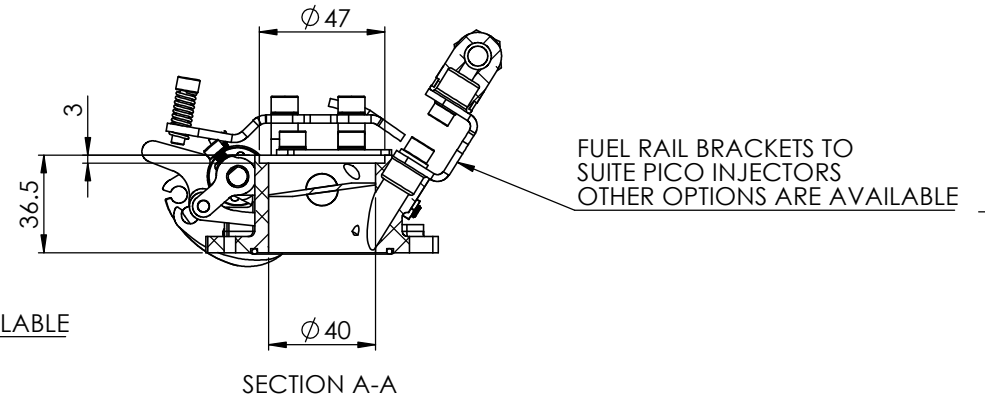
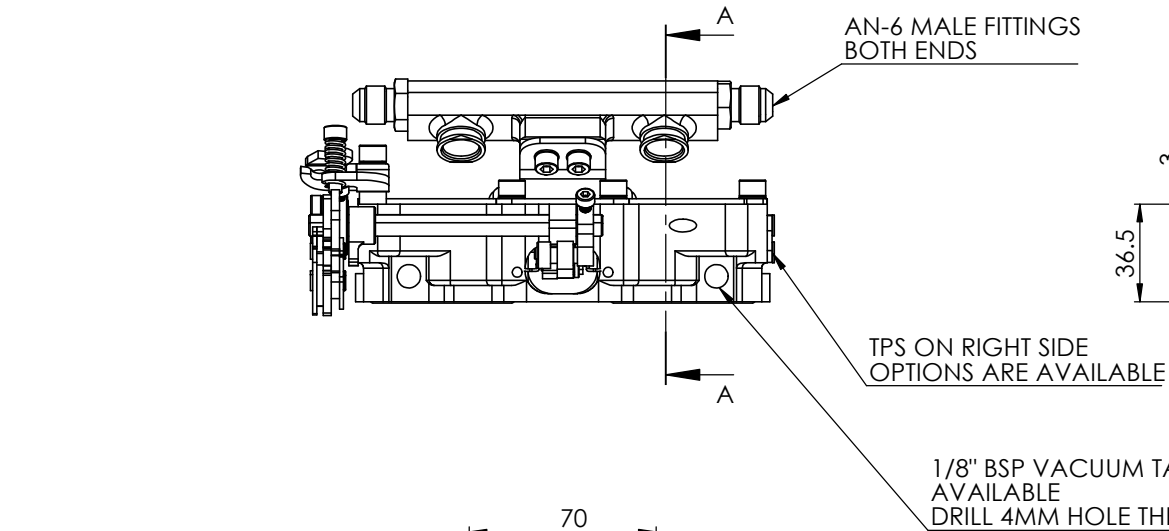
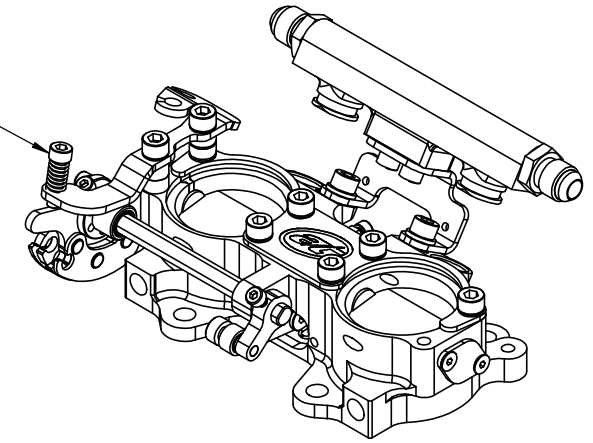

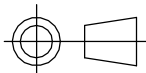


IDLE ADJUSTMENT



 S-CAN 3D Ltd Buns Bank Ind Est Attleborough NR17 1QD	 THIRD ANGLE PROJECTION		MATERIAL	SEE COMPONENT PARTS
	SCALE 1:2	WEIGHT 0.8 kg	FINISH	SEE COMPONENT PARTS
UNLESS OTHERWISE STATED: DIMENSIONS IN MILLIMETRES TOLERANCES: LINEAR ± 0.1 ANGULAR ± 0.5° SURFACE FINISH √ = √ DRAWING STANDARDS TO ATQS 6003 DATE FORMAT: DD/MM/YY THIS DESIGN IS THE PROPERTY OF S-CAN 3D LTD AND MUST NOT BE REPRODUCED OR COMMUNICATED WITHOUT AUTHORITY	DRAWN- S.HOW	DRAWING TITLE		
	DATE - 10/11/22	ASSY - DCOE - 2-CYL - CENTER PULL - 42MM - INJECTED - ALI EXT		
	CHECKED - S.HOW	DRAWING NUMBER		
APPROVED - S.HOW	CAD PLOT DO NOT SCALE	102-121-00004		
		SHEET 2 OF 2 A3		