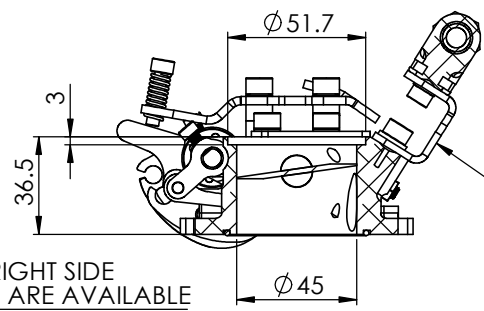
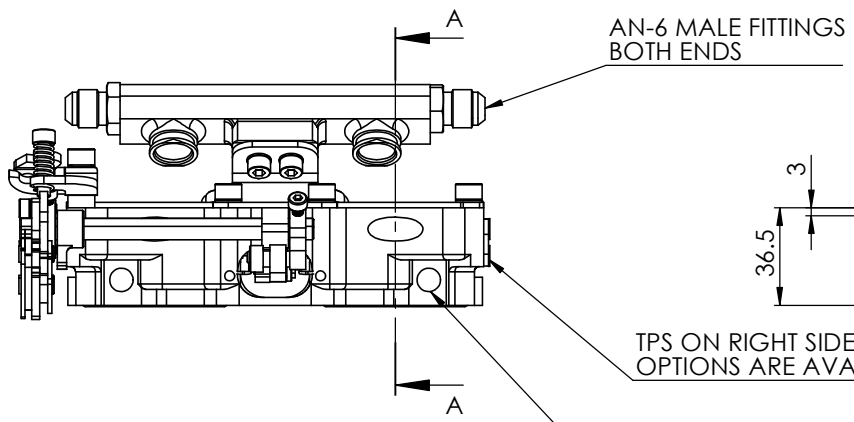
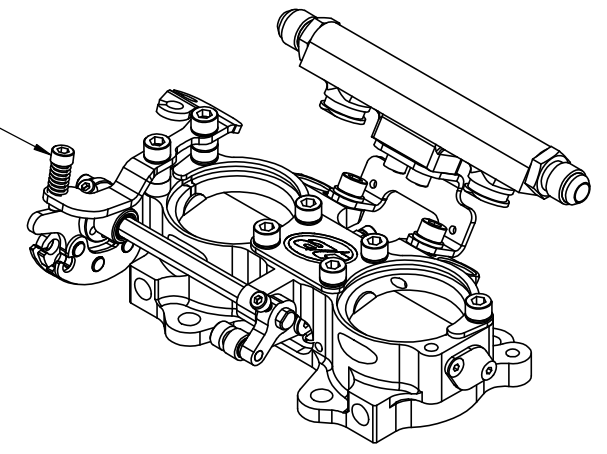


TWIN CABLE PULL ON LEFT SIDE

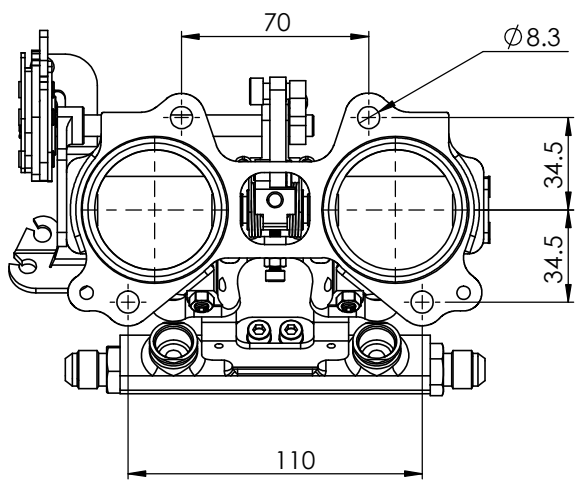
IDLE ADJUSTMENT



FUEL RAIL BRACKETS TO SUITE PICO INJECTORS OTHER OPTIONS ARE AVAILABLE

SECTION A-A

1/8" BSP VACUUM TAKE OFF AVAILABLE
DRILL 4MM HOLE THROUGH IF REQUIRED



S-CAN 3D Ltd
Bunns Bank Ind Est
Attleborough NR17 1QD

THIRD ANGLE PROJECTION

SCALE 1:2	WEIGHT 0.8 kg
DRAWN- S.HOW	
DATE - 10/11/22	
CHECKED - S.HOW	
APPROVED - S.HOW	

MATERIAL	SEE COMPONENT PARTS
FINISH	SEE COMPONENT PARTS
DRAWING TITLE	ASSY - DCOE - 2-CYL - CENTER PULL - 45MM - INJECTED - ALI EXT
DRAWING NUMBER	102-121-00005

UNLESS OTHERWISE STATED:
DIMENSIONS IN MILLIMETRES
TOLERANCES: LINEAR ± 0.1 ANGULAR ± 0.5°
SURFACE FINISH ∇ = ∇
DRAWING STANDARDS TO ATQS 6003
DATE FORMAT: DD/MM/YY

THIS DESIGN IS THE PROPERTY OF S-CAN 3D LTD AND MUST NOT BE REPRODUCED OR COMMUNICATED WITHOUT AUTHORITY

CAD PLOT DO NOT SCALE