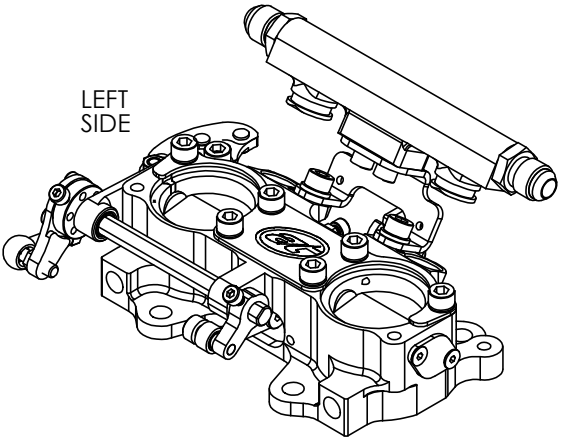
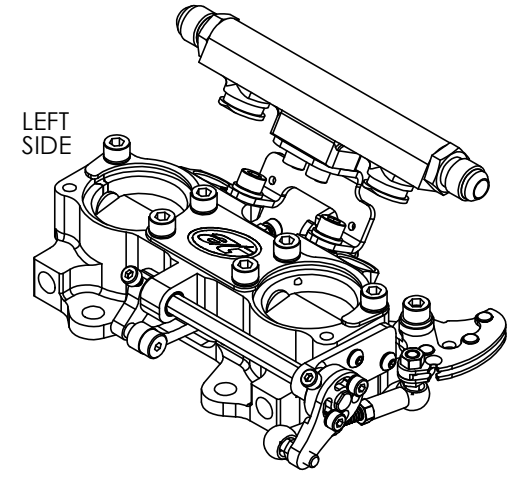
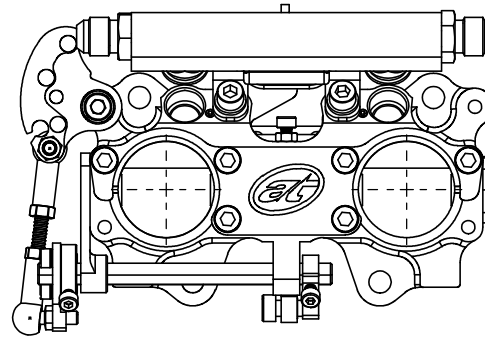
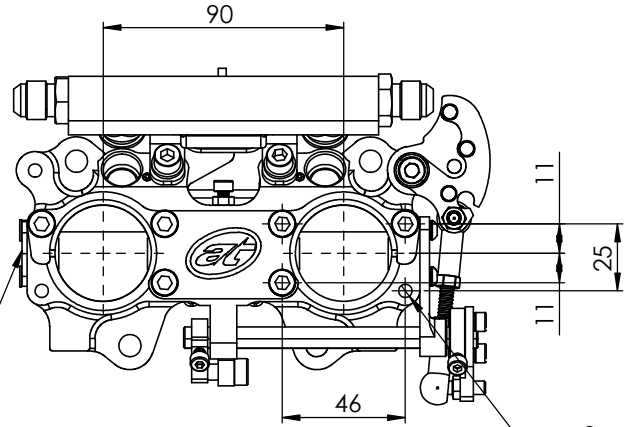


LINKAGE PULLING TO THE LEFT

LINKAGE PULLING TO THE RIGHT

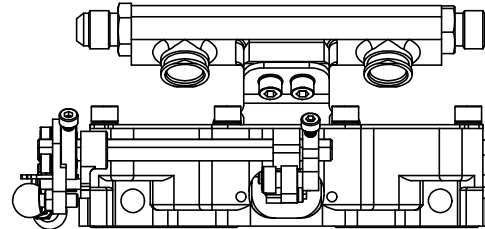
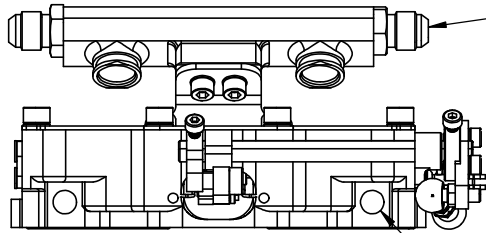


TPS FITTED ON LEFT SIDE
OPTIONS ARE AVAILABLE

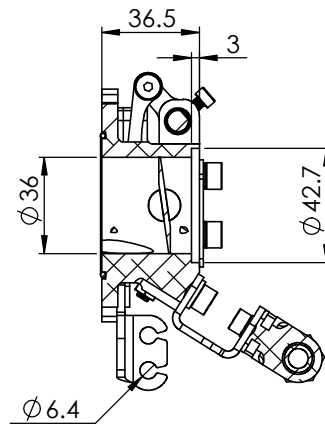
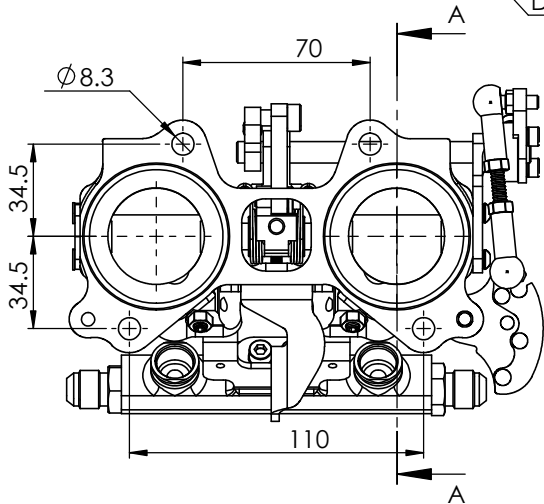
8 x $\phi 5 \nabla 15$
M6x1.0 - 6H $\nabla 12$

TPS FITTED ON RIGHT SIDE
OPTIONS ARE AVAILABLE


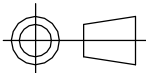
AN6 MALE FITTING
BOTH ENDS



1/8" BSP VACUUM TAKE
OFFS AVAILABLE
DRILL 4MM HOLE THROUGH IF REQUIRED



SECTION A-A

| | | | |
|---|---|------------------|--|
|  S-CAN 3D Ltd Buns Bank Ind Est Attleborough NR17 1QD |  THIRD ANGLE PROJECTION | | MATERIAL |
| | SCALE 1:2 | WEIGHT 0.8 kg | SEE COMPONENT PARTS |
| UNLESS OTHERWISE STATED: DIMENSIONS IN MILLIMETRES TOLERANCES: LINEAR ± 0.1 ANGULAR $\pm 0.5^\circ$ SURFACE FINISH $\nabla = \nabla$ DRAWING STANDARDS TO ATQS 6003 DATE FORMAT: DD/MM/YY THIS DESIGN IS THE PROPERTY OF S-CAN 3D LTD AND MUST NOT BE REPRODUCED OR COMMUNICATED WITHOUT AUTHORITY | DRAWN- S.HOW | DATE - 11/11/22 | DRAWING TITLE |
| | CHECKED - S.HOW | APPROVED - S.HOW | ASSY - DCOE - 2-CYL - L/R PULL - 36MM - INJECTED - ALI EXT |
| CAD PLOT DO NOT SCALE | DRAWING NUMBER | | 102-121-00011 |