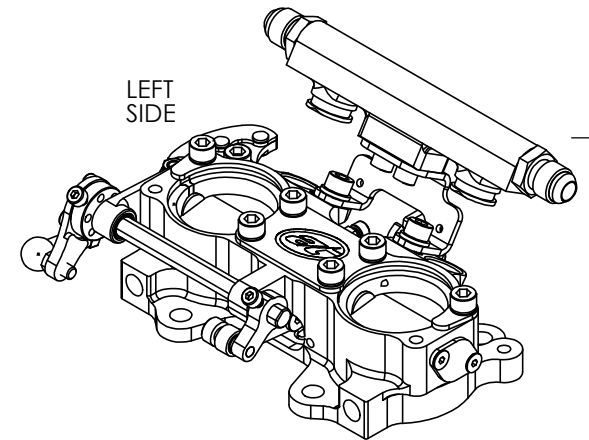
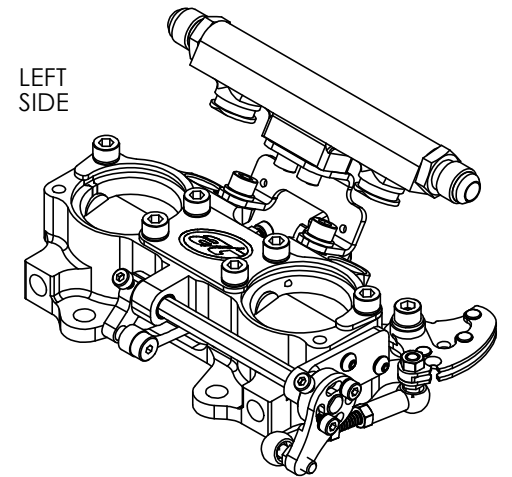
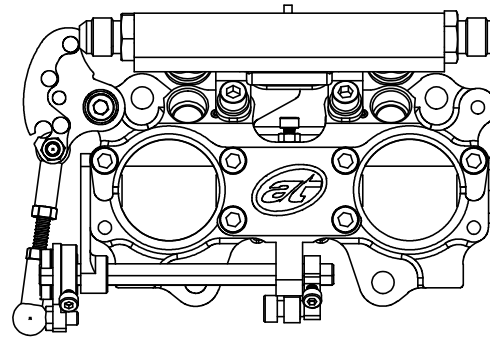
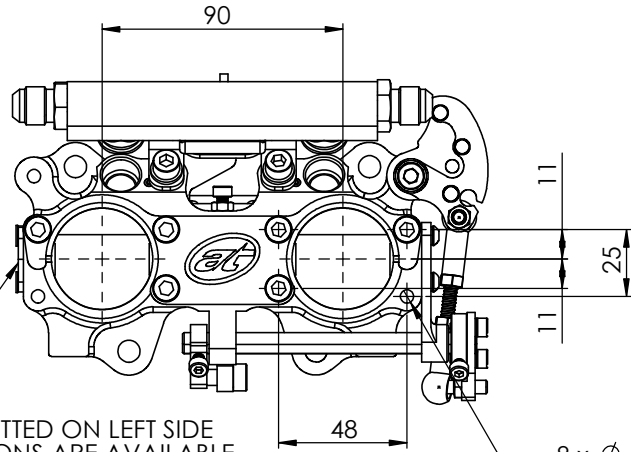


LINKAGE PULLING TO THE LEFT

LINKAGE PULLING TO THE RIGHT



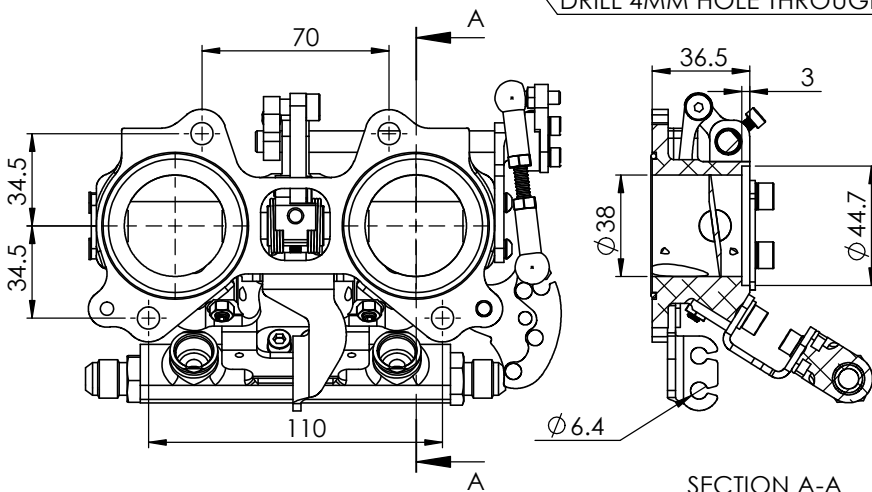
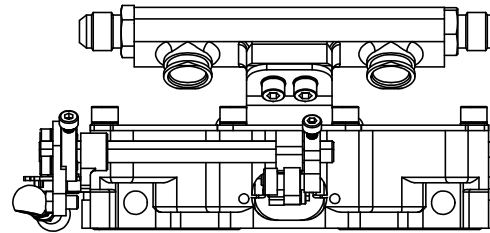
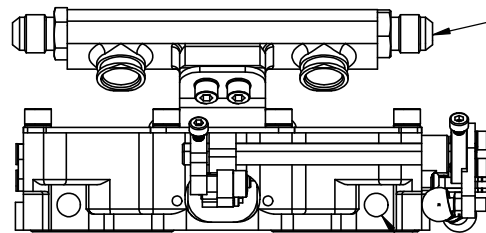
TPS FITTED ON LEFT SIDE
OPTIONS ARE AVAILABLE

TPS FITTED ON RIGHT SIDE
OPTIONS ARE AVAILABLE

8 x $\phi 5 \nabla 15$
M6x1.0 - 6H $\nabla 12$

AN6 MALE FITTING
BOTH ENDS

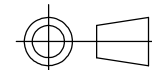
1/8" BSP VACUUM TAKE
OFFS AVAILABLE
DRILL 4MM HOLE THROUGH IF REQUIRED



SECTION A-A



S-CAN 3D Ltd
Buns Bank Ind Est
Atleborough NR17 1QD



THIRD ANGLE PROJECTION

SCALE 1:2 WEIGHT 0.8 kg

DRAWN- S.HOW

DATE - 10/11/22

CHECKED - S.HOW

APPROVED - S.HOW

UNLESS OTHERWISE STATED:
DIMENSIONS IN MILLIMETRES
TOLERANCES: LINEAR ± 0.1 ANGULAR $\pm 0.5^\circ$
SURFACE FINISH $\nabla = \nabla$
DRAWING STANDARDS TO ATQS 6003
DATE FORMAT: DD/MM/YY

THIS DESIGN IS THE PROPERTY OF
S-CAN 3D LTD AND MUST NOT BE
REPRODUCED OR COMMUNICATED
WITHOUT AUTHORITY

CAD PLOT
DO NOT
SCALE

MATERIAL
SEE COMPONENT PARTS

FINISH
SEE COMPONENT PARTS

DRAWING TITLE
ASSY - DCOE - 2-CYL - L/R
PULL - 38MM - INJECTED -
ALI EXT

DRAWING NUMBER
102-121-00012