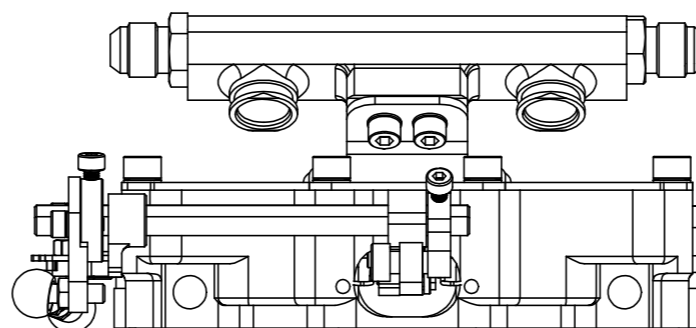
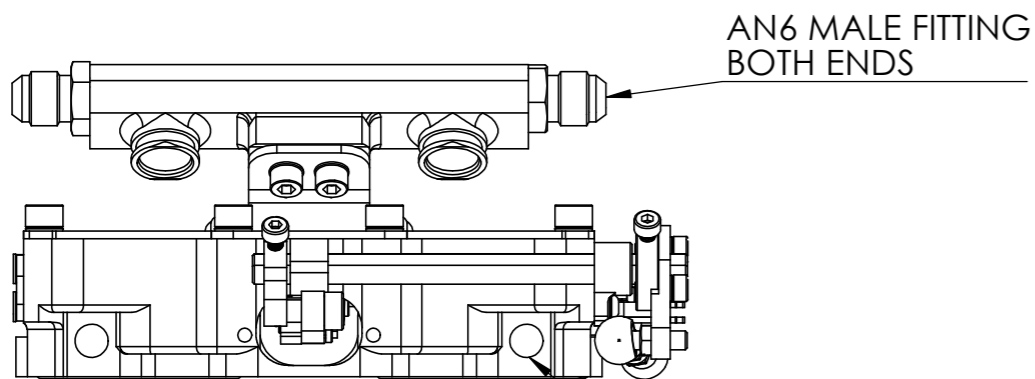
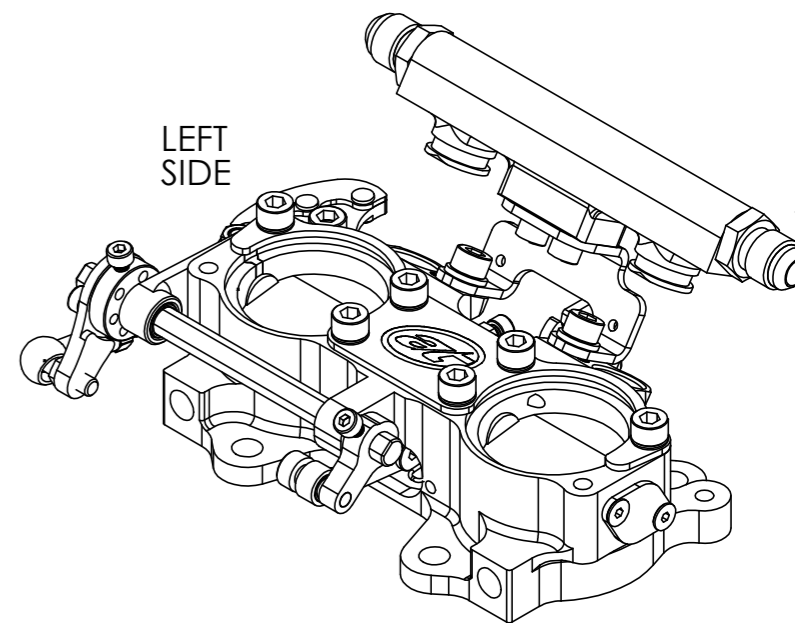
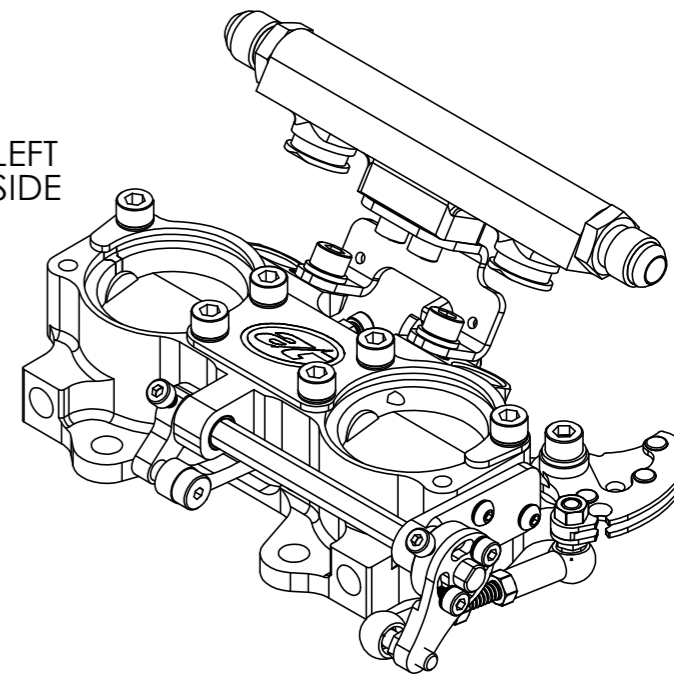
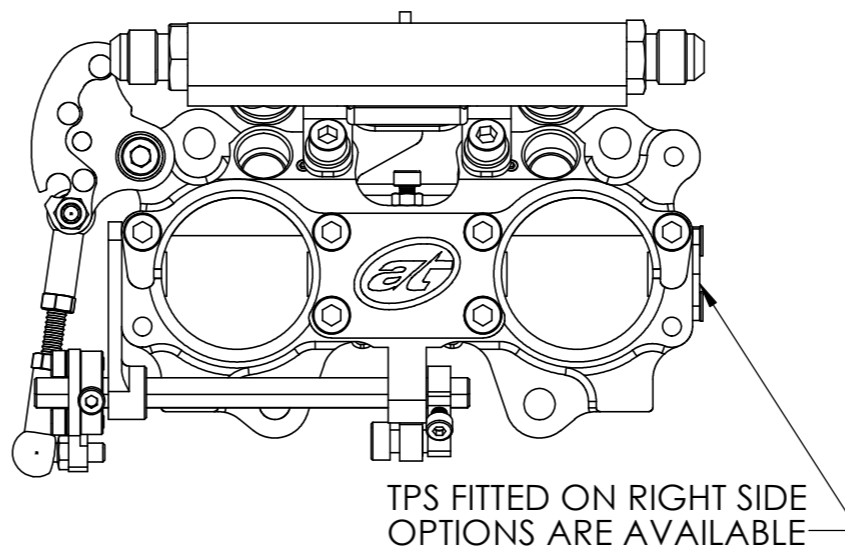
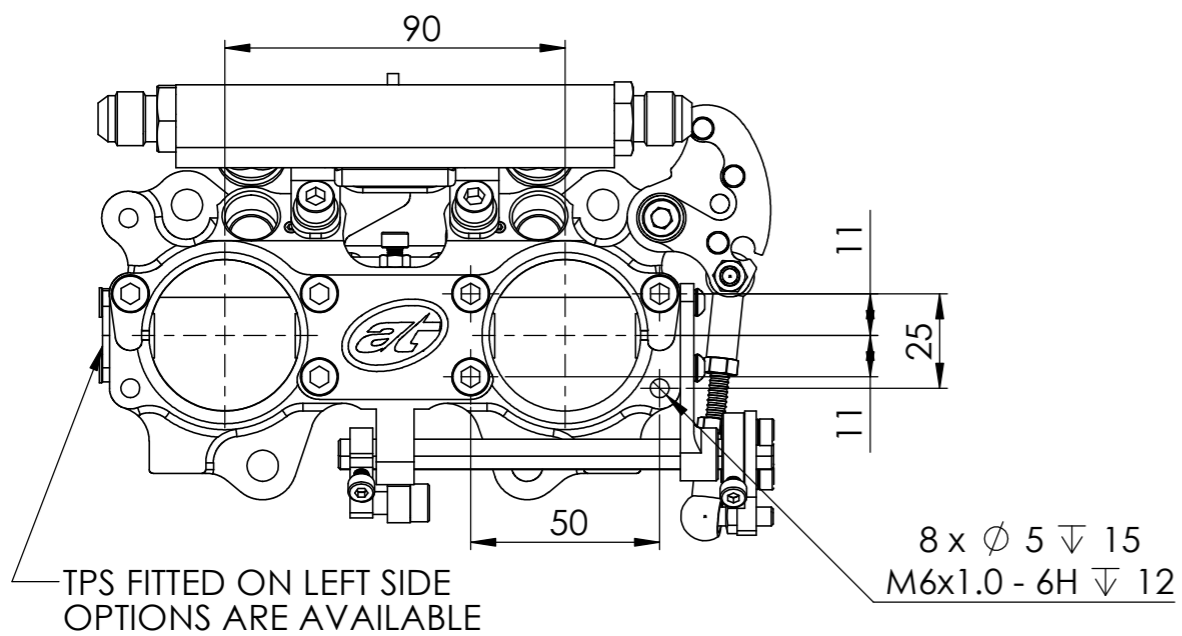


LINKAGE PULLING TO THE LEFT

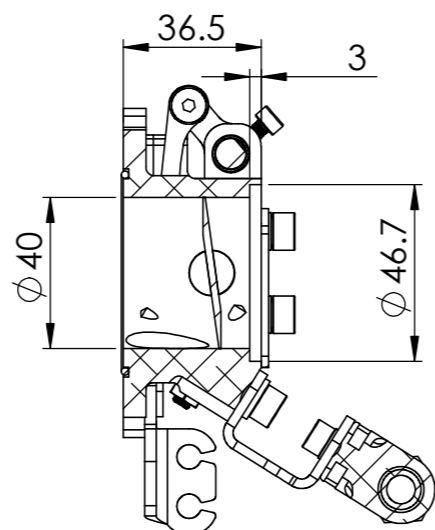
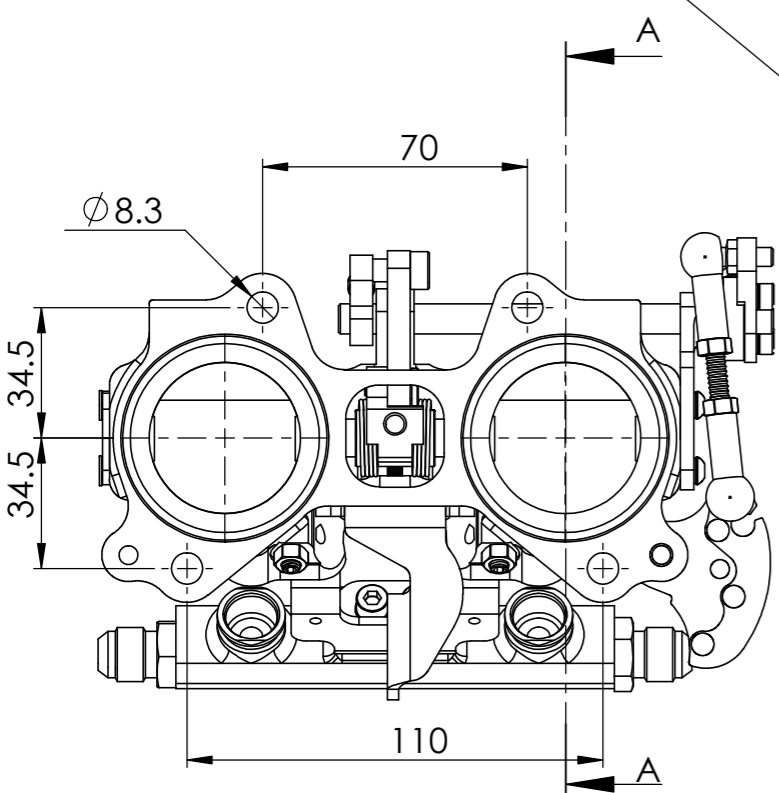
LINKAGE PULLING TO THE RIGHT

LEFT SIDE

LEFT SIDE



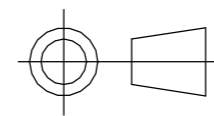
1/8" BSP VACUUM TAKE OFFS AVAILABLE
DRILL 4MM HOLE THROUGH IF REQUIRED



SECTION A-A



S-CAN 3D Ltd
Bunns Bank Ind Est
Atleborough NR17 1QD



THIRD ANGLE PROJECTION

SCALE 1:2 WEIGHT 0.8 kg

DRAWN- S.HOW

DATE - 10/11/22

CHECKED - S.HOW

APPROVED - S.HOW

UNLESS OTHERWISE STATED:
DIMENSIONS IN MILLIMETRES
TOLERANCES: LINEAR ± 0.1 ANGULAR ± 0.5°
SURFACE FINISH ∇ = ∇
DRAWING STANDARDS TO ATQS 6003
DATE FORMAT: DD/MM/YY

THIS DESIGN IS THE PROPERTY OF
S-CAN 3D LTD AND MUST NOT BE
REPRODUCED OR COMMUNICATED
WITHOUT AUTHORITY

CAD PLOT
DO NOT
SCALE

MATERIAL

SEE COMPONENT PARTS

FINISH

SEE COMPONENT PARTS

DRAWING TITLE

ASSY - DCOE - 2-CYL - L/R
PULL - 40MM - INJECTED -
ALI EXT

DRAWING NUMBER

102-121-00013

SHEET 2 OF 2 A3