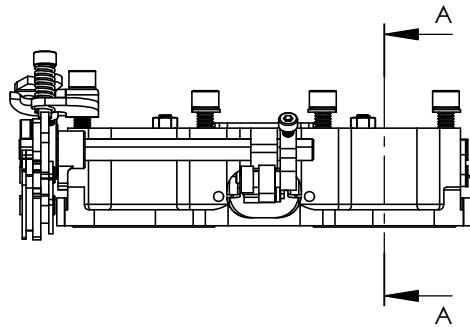
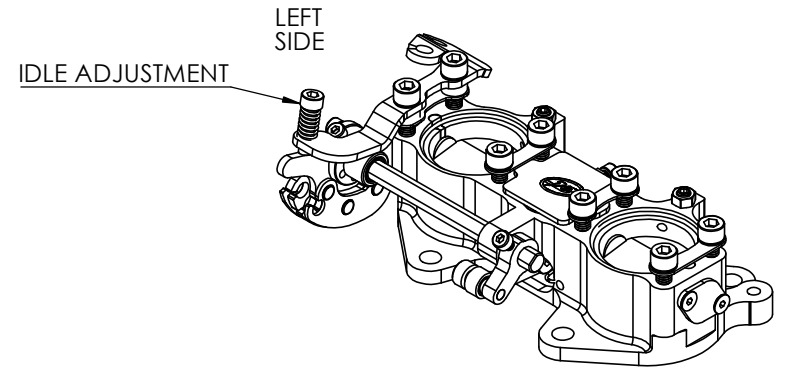
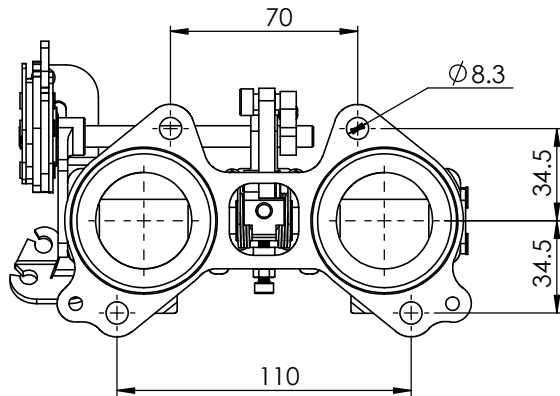
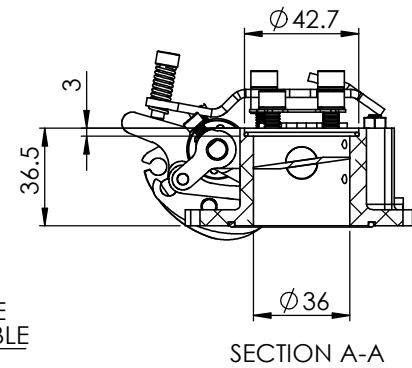

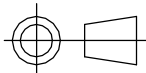


TWIN CALBE LINKAGE ON LEFT SIDE



TPS ON RIGHT SIDE OPTIONS AVAILABLE



 S-CAN 3D Ltd Buns Bank Ind Est Attleborough NR17 1QD	 THIRD ANGLE PROJECTION		MATERIAL SEE COMPONENT PARTS
	SCALE 1:2	WEIGHT 0.6 kg	FINISH SEE COMPONENT PARTS
UNLESS OTHERWISE STATED: DIMENSIONS IN MILLIMETRES TOLERANCES: LINEAR ± 0.1 ANGULAR $\pm 0.5^\circ$ SURFACE FINISH $\sqrt{\text{V}}$ = $\sqrt{\text{V}}$ DRAWING STANDARDS TO ATQS 6003 DATE FORMAT: DD/MM/YY	DRAWN- S.HOW		DRAWING TITLE ASSY - DCOE - 2-CYL - CENTER PULL - 36MM - NON-INJECTED - 3D EXT
	DATE - 10/12/25		
THIS DESIGN IS THE PROPERTY OF S-CAN 3D LTD AND MUST NOT BE REPRODUCED OR COMMUNICATED WITHOUT AUTHORITY	CAD PLOT DO NOT SCALE	CHECKED - S.HOW	DRAWING NUMBER 102-121-00079
		APPROVED - S.HOW	