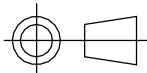
 S-CAN 3D Ltd Bunn's Bank Ind Est Attleborough NR17 1QD	 THIRD ANGLE PROJECTION		MATERIAL	SEE COMPONENT PARTS
	SCALE 1:2	WEIGHT 0.6 kg	FINISH	SEE COMPONENT PARTS
<small>UNLESS OTHERWISE STATED: DIMENSIONS IN MILLIMETRES TOLERANCES: LINEAR ± 0.1 ANGULAR ± 0.5° SURFACE FINISH √ = √ DRAWING STANDARDS TO ATQS 6003 DATE FORMAT: DD/MM/YY THIS DESIGN IS THE PROPERTY OF S-CAN 3D LTD AND MUST NOT BE REPRODUCED OR COMMUNICATED WITHOUT AUTHORITY</small>	DRAWN- S.HOW	DRAWING TITLE		
	DATE - 10/12/25	ASSY - DCOE - 2-CYL - CENTER PULL - 38MM - NON-INJECTED - ALI EXT		
	CHECKED - S.HOW	DRAWING NUMBER		
APPROVED - S.HOW	102-121-00080			SHEET 2 OF 2 A3