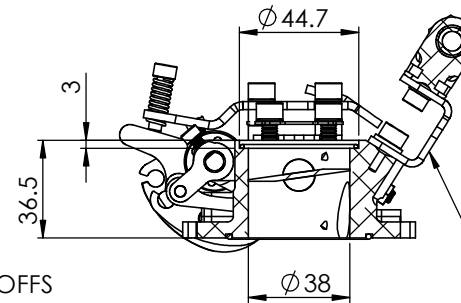
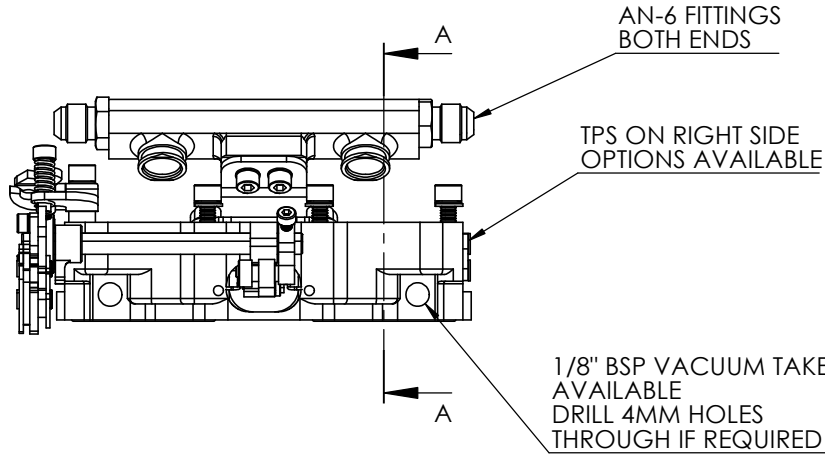
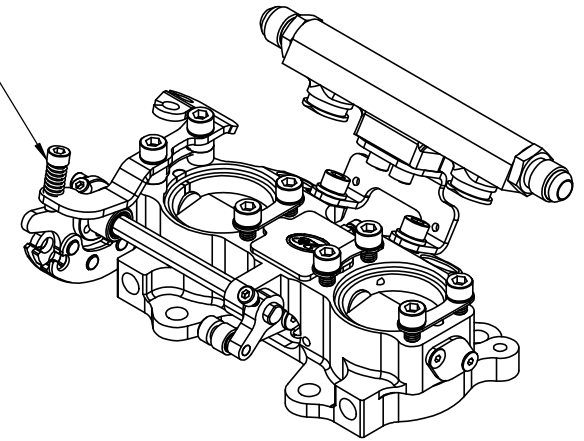


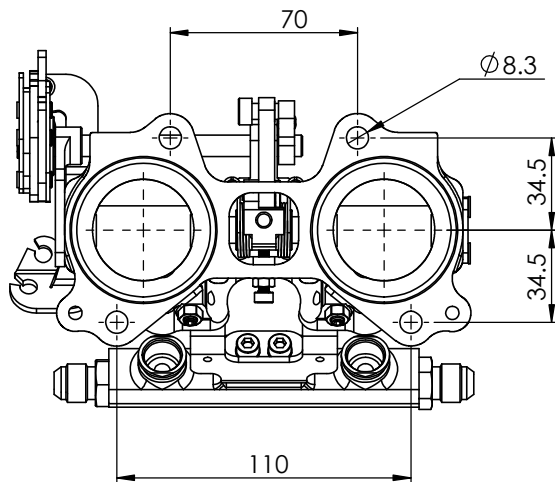
TWIN CABLE LINKAGE ON LEFT SIDE


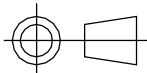
IDLE ADJUSTMENT



FUEL RAIL BRACKETS SUITABLE FOR PICO INJECTORS BRACKETS FOR BOSCH INJECTORS ARE AVAILABLE

SECTION A-A



| | | | | |
|--|---|---|----------|---------------------|
|  S-CAN 3D Ltd Buns Bank Ind Est Attleborough NR17 1QD |  THIRD ANGLE PROJECTION | | MATERIAL | SEE COMPONENT PARTS |
| | SCALE 1:2 | WEIGHT 0.8 kg | FINISH | SEE COMPONENT PARTS |
| UNLESS OTHERWISE STATED: DIMENSIONS IN MILLIMETRES TOLERANCES: LINEAR ±0.1 ANGULAR ±0.5° SURFACE FINISH √=√ DRAWING STANDARDS TO ATQS 6003 DATE FORMAT: DD/MM/YY THIS DESIGN IS THE PROPERTY OF S-CAN 3D LTD AND MUST NOT BE REPRODUCED OR COMMUNICATED WITHOUT AUTHORITY | DRAWN- S.HOW | DRAWING TITLE | | |
| | DATE - 22/12/25 | ASSY - DCOE - 2-CYL - CENTER PULL - 38MM - INJECTED - 3D EXT | | |
| | CHECKED - S.HOW | DRAWING NUMBER | | |
| APPROVED - S.HOW | CAD PLOT DO NOT SCALE | 102-121-00081 | | |
| | | SHEET 2 OF 2 A3 | | |