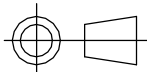
 S-CAN 3D Ltd Bunn's Bank Ind Est Attleborough NR17 1QD	 THIRD ANGLE PROJECTION		MATERIAL	SEE COMPONENT PARTS	
	SCALE 1:2	WEIGHT 0.6 kg	FINISH	SEE COMPONENT PARTS	
<small>UNLESS OTHERWISE STATED: DIMENSIONS IN MILLIMETRES TOLERANCES: LINEAR ± 0.1 ANGULAR ± 0.5° SURFACE FINISH: ✓ = ✓ DRAWING STANDARDS TO ATQS 6003 DATE FORMAT: DD/MM/YY THIS DESIGN IS THE PROPERTY OF S-CAN 3D LTD AND MUST NOT BE REPRODUCED OR COMMUNICATED WITHOUT AUTHORITY</small>	DRAWN- S.HOW	DRAWING TITLE		ASSY - DCOE - 2-CYL - CENTER PULL - 38MM - NON-INJECTED - 3D EXT	
	DATE - 09/02/26	CHECKED - S.HOW	DRAWING NUMBER		102-121-00082
	APPROVED - S.HOW	CAD PLOT DO NOT SCALE			SHEET 2 OF 2 A3