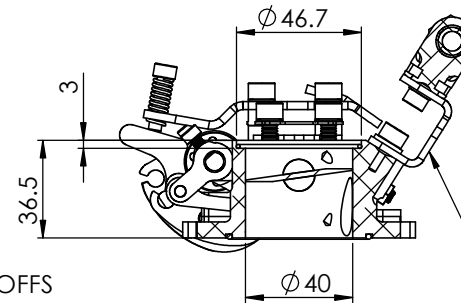
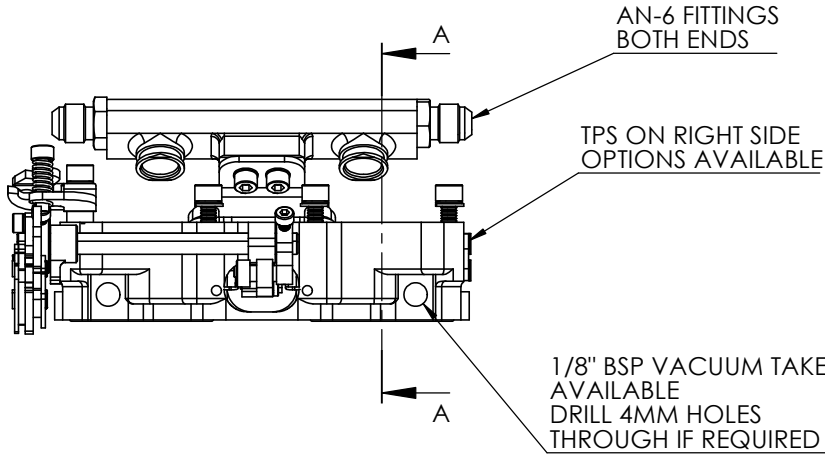
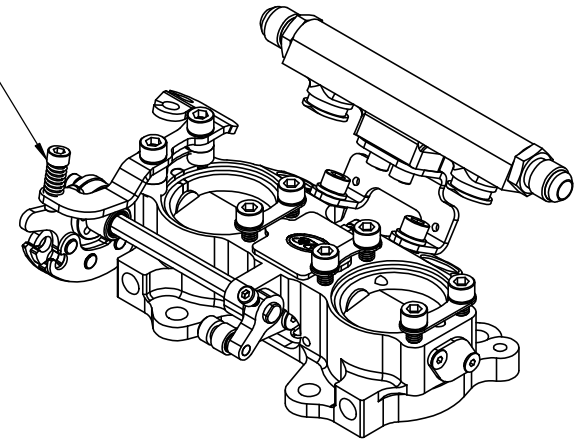


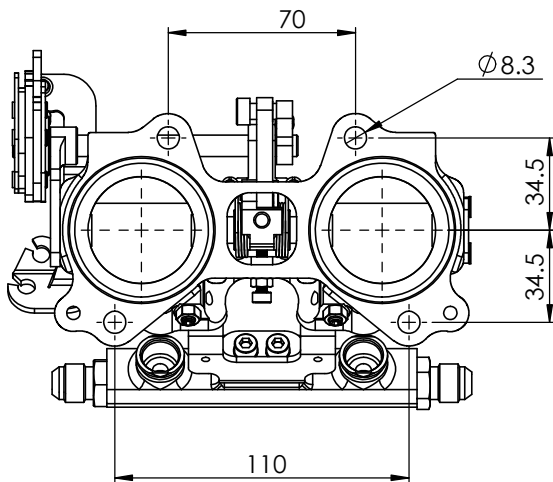
TWIN CABLE LINKAGE ON LEFT SIDE


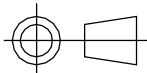
IDLE ADJUSTMENT



FUEL RAIL BRACKETS SUITABLE FOR PICO INJECTORS BRACKETS FOR BOSCH INJECTORS ARE AVAILABLE

SECTION A-A



 S-CAN 3D Ltd Bunn's Bank Ind Est Attleborough NR17 1QD	 THIRD ANGLE PROJECTION		MATERIAL	SEE COMPONENT PARTS
	SCALE 1:2	WEIGHT 0.8 kg	FINISH	SEE COMPONENT PARTS
<small>UNLESS OTHERWISE STATED: DIMENSIONS IN MILLIMETRES TOLERANCES: LINEAR ±0.1 ANGULAR ±0.5° SURFACE FINISH √=√ DRAWING STANDARDS TO ATQS 6003 DATE FORMAT: DD/MM/YY</small> <small>THIS DESIGN IS THE PROPERTY OF S-CAN 3D LTD AND MUST NOT BE REPRODUCED OR COMMUNICATED WITHOUT AUTHORITY</small>	DRAWN- S.HOW	DRAWING TITLE		ASSY - DCOE - 2-CYL - CENTER PULL - 40MM - INJECTED - 3D EXT
	DATE - 17/04/26	DRAWING NUMBER		
	CHECKED - S.HOW	APPROVED - S.HOW		102-121-00084