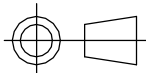
 S-CAN 3D Ltd Bunn's Bank Ind Est Attleborough NR17 1QD	 THIRD ANGLE PROJECTION		MATERIAL
	SCALE 1:2	WEIGHT 0.6 kg	FINISH
UNLESS OTHERWISE STATED: DIMENSIONS IN MILLIMETRES TOLERANCES: LINEAR ± 0.1 ANGULAR ± 0.5° SURFACE FINISH: ✓ = ✓ DRAWING STANDARDS TO ATQS 6003 DATE FORMAT: DD/MM/YY	DRAWN- S.HOW	DRAWING TITLE	
THIS DESIGN IS THE PROPERTY OF S-CAN 3D LTD AND MUST NOT BE REPRODUCED OR COMMUNICATED WITHOUT AUTHORITY	DATE - 17/04/26	ASSY - DCOE - 2-CYL - CENTER PULL - 40MM - NON-INJECTED - 3D EXT	
CAD PLOT DO NOT SCALE	CHECKED - S.HOW	DRAWING NUMBER	
	APPROVED - S.HOW	102-121-00085	