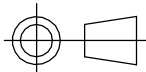
 <b>S-CAN 3D Ltd</b> Bunn's Bank Ind Est Attleborough NR17 1QD	 THIRD ANGLE PROJECTION		MATERIAL SEE COMPONENT PARTS
	SCALE 1:2	WEIGHT 0.6 kg	FINISH SEE COMPONENT PARTS
UNLESS OTHERWISE STATED: DIMENSIONS IN MILLIMETRES TOLERANCES: LINEAR ± 0.1 ANGULAR ± 0.5° SURFACE FINISH √ = √ DRAWING STANDARDS TO ATQS 6003 DATE FORMAT: DD/MM/YY THIS DESIGN IS THE PROPERTY OF S-CAN 3D LTD AND MUST NOT BE REPRODUCED OR COMMUNICATED WITHOUT AUTHORITY	DRAWN- S.HOW	DRAWING TITLE <b>ASSY - DCOE - 2-CYL - CENTER PULL - 45MM - NON-INJECTED - 3D EXT</b>	
	DATE - 20/04/26	CHECKED - S.HOW	DRAWING NUMBER <b>102-121-00091</b>
CAD PLOT DO NOT SCALE	APPROVED - S.HOW	SHEET 2 OF 2 A3	