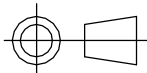
 S-CAN 3D Ltd Buns Bank Ind Est Atleborough NR17 1QD	 THIRD ANGLE PROJECTION	MATERIAL	SEE COMPONENT PARTS
		FINISH	SEE COMPONENT PARTS
<small>UNLESS OTHERWISE STATED: DIMENSIONS IN MILLIMETRES TOLERANCES: LINEAR ± 0.1 ANGULAR ± 0.5° SURFACE FINISH √ = √ DRAWING STANDARDS TO ATQS 6003 DATE FORMAT: DD/MM/YY</small>	SCALE	DRAWING TITLE	
	1:2	WEIGHT	ASSY - DCOE - 2-CYL - CENTER PULL - 48MM - NON-INJECTED - ALI EXT
<small>THIS DESIGN IS THE PROPERTY OF S-CAN 3D LTD AND MUST NOT BE REPRODUCED OR COMMUNICATED WITHOUT AUTHORITY</small>	DRAWN-	DRAWING NUMBER	
	S.HOW	102-121-00092	
<small>CAD PLOT DO NOT SCALE</small>	CHECKED -	<small>SHEET 2 OF 2 A3</small>	
	APPROVED -		
	S.HOW		