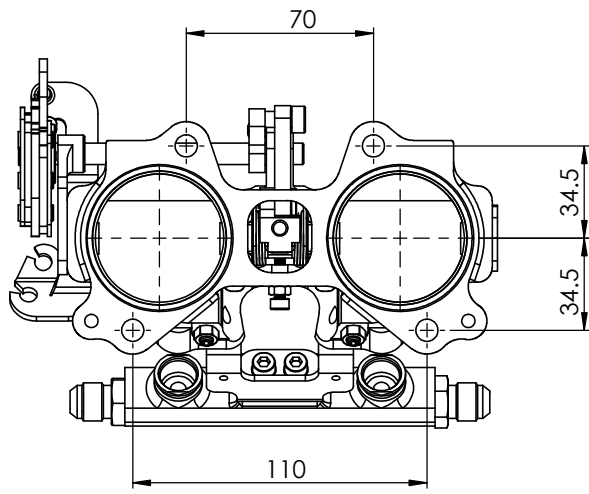
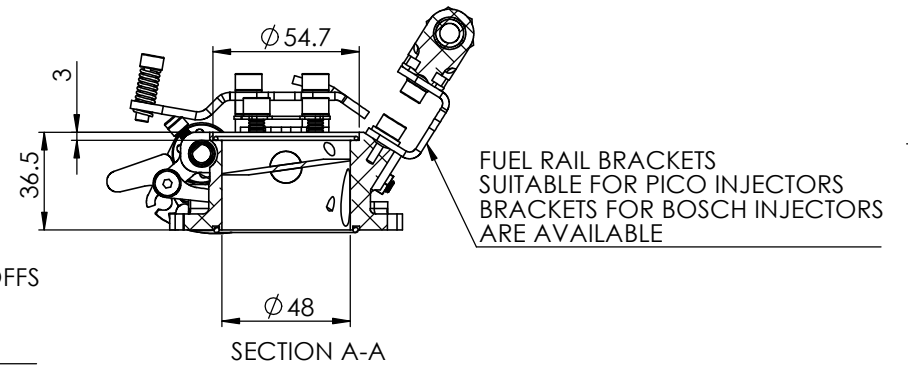
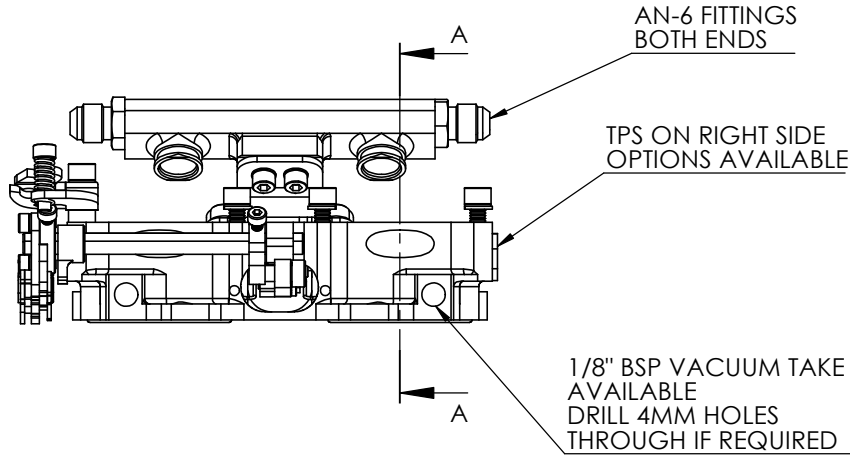
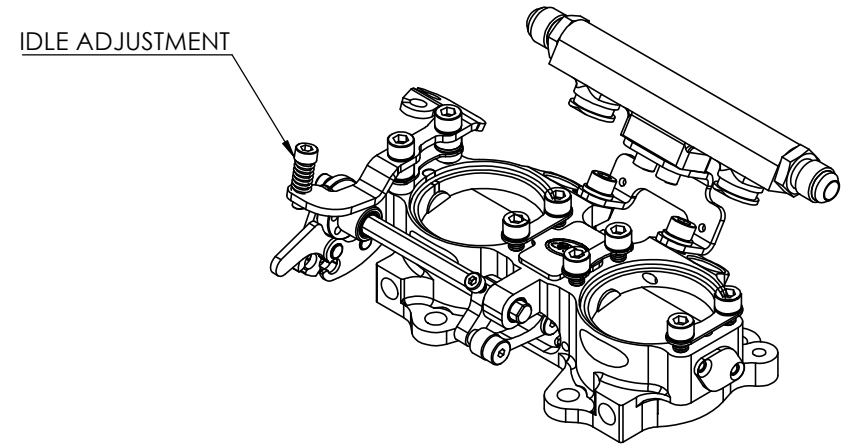

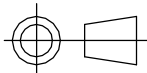


TWIN CABLE LINKAGE ON LEFT SIDE



 <b>S-CAN 3D Ltd</b> Bunn's Bank Ind Est Attleborough NR17 1QD	 THIRD ANGLE PROJECTION		MATERIAL	SEE COMPONENT PARTS
	SCALE 1:2	WEIGHT 0.7 kg	FINISH	SEE COMPONENT PARTS
<small>UNLESS OTHERWISE STATED:          DIMENSIONS IN MILLIMETRES          TOLERANCES: LINEAR ±0.1 ANGULAR ±0.5°          SURFACE FINISH: ✓=✓          DRAWING STANDARDS TO ATQS 6003          DATE FORMAT: DD/MM/YY</small>	DRAWN-	S.HOW	DRAWING TITLE	
	DATE -	20/04/26	<b>ASSY - DCOE - 2-CYL -          CENTER PULL - 48MM -          INJECTED - 3D EXT</b>	
<small>THIS DESIGN IS THE PROPERTY OF          S-CAN 3D LTD AND MUST NOT BE          REPRODUCED OR COMMUNICATED          WITHOUT AUTHORITY</small>	CAD PLOT DO NOT SCALE	CHECKED -	S.HOW	DRAWING NUMBER
		APPROVED -	S.HOW	<b>102-121-00093</b> <small>SHEET 2 OF 2 A3</small>