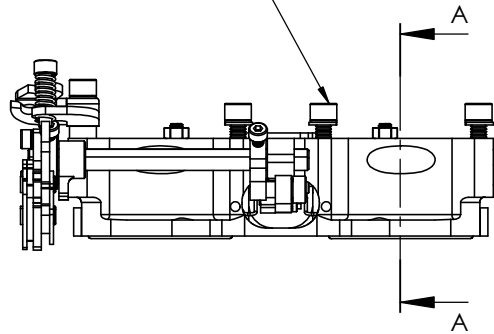
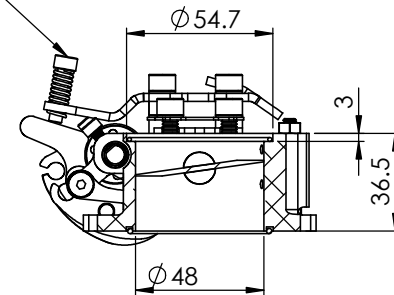


TWIN CABLE LINKAGE

M6 SCREWS

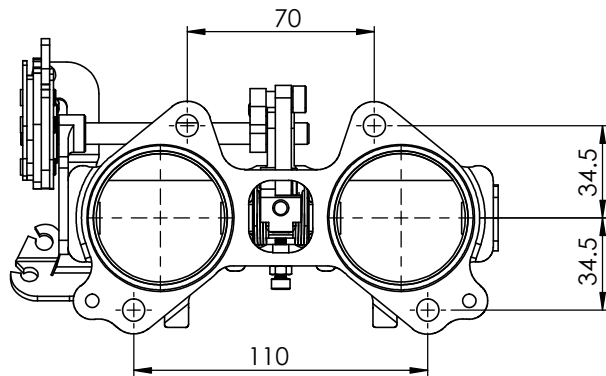



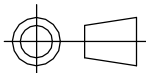
IDLE ADJUSTMENT



TPS ON RIGHT SIDE  
OPTIONS AVAILABLE

SECTION A-A



 <p>S-CAN 3D Ltd Bunns Bank Ind Est Attleborough NR17 1QD</p>	 <p>THIRD ANGLE PROJECTION</p>		MATERIAL	SEE COMPONENT PARTS
	SCALE 1:2	WEIGHT 0.6 kg	FINISH	SEE COMPONENT PARTS
<p>UNLESS OTHERWISE STATED: DIMENSIONS IN MILLIMETRES TOLERANCES: LINEAR ±0.1 ANGULAR ±0.5° SURFACE FINISH √=√ DRAWING STANDARDS TO ATQS 6003 DATE FORMAT: DD/MM/YY</p> <p>THIS DESIGN IS THE PROPERTY OF S-CAN 3D LTD AND MUST NOT BE REPRODUCED OR COMMUNICATED WITHOUT AUTHORITY</p>	DRAWN- S.HOW	DRAWING TITLE		
	DATE - 20/04/26	ASSY - DCOE - 2-CYL - CENTER PULL - 48MM - NON-INJECTED - 3D EXT		
CAD PLOT DO NOT SCALE	CHECKED - S.HOW	DRAWING NUMBER		
	APPROVED - S.HOW	102-121-00094		
		SHEET 2 OF 2 A3		