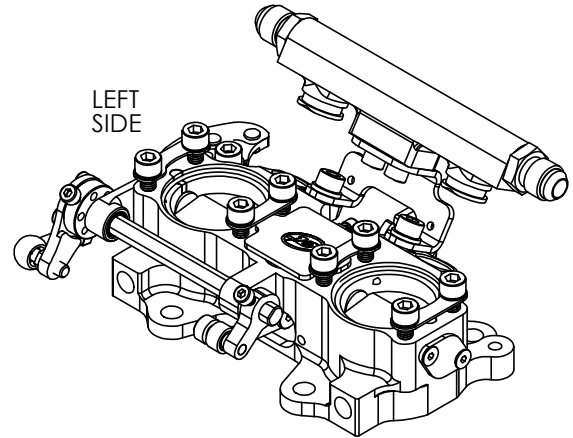
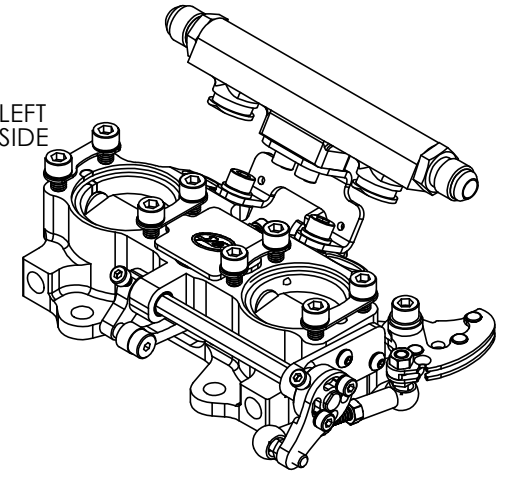
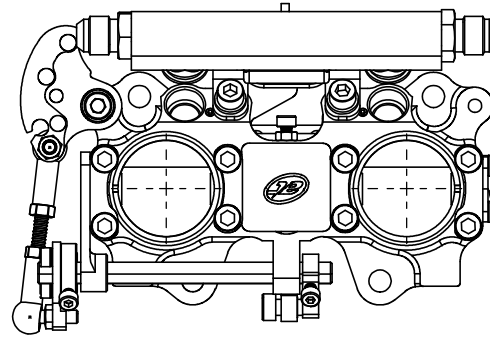
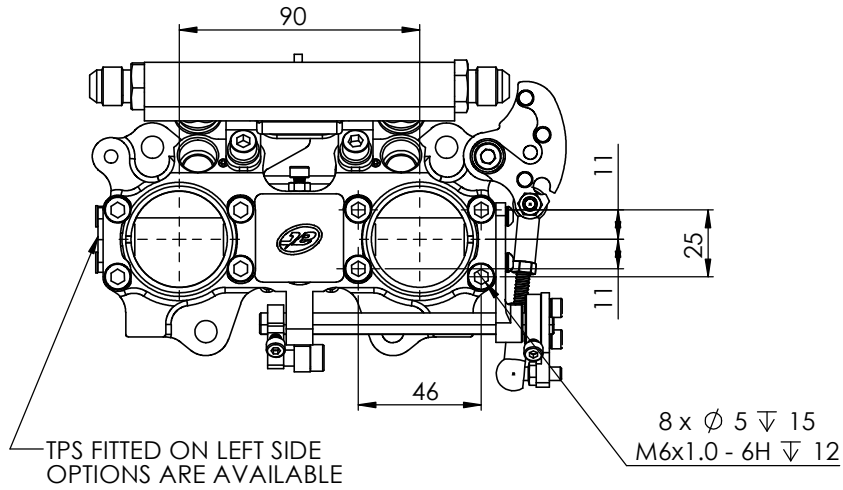


LINKAGE PULLING TO THE LEFT

LINKAGE PULLING TO THE RIGHT

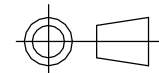
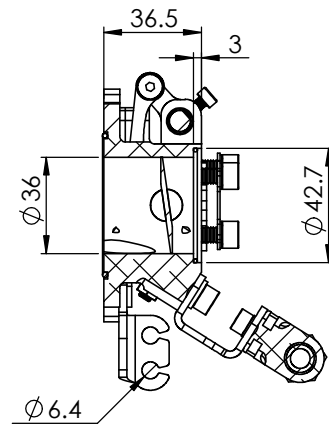
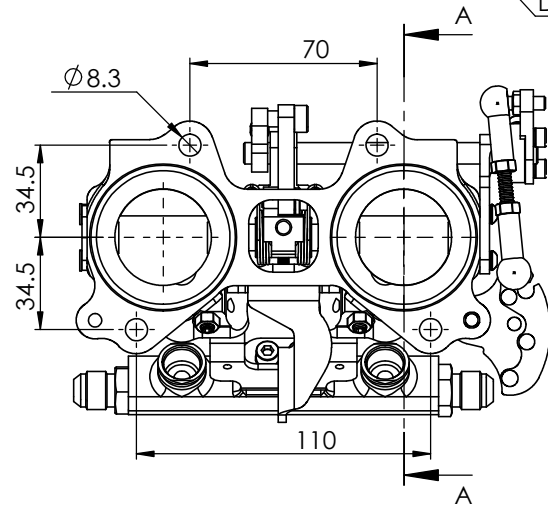
LEFT SIDE

LEFT SIDE



AN6 MALE FITTING
BOTH ENDS

1/8" BSP VACUUM TAKE
OFFS AVAILABLE
DRILL 4MM HOLE THROUGH IF REQUIRED



THIRD ANGLE PROJECTION

SCALE
1:2

WEIGHT
0.8 kg

DRAWN - S.HOW

DATE - 23/04/26

CHECKED - S.HOW

APPROVED - S.HOW

UNLESS OTHERWISE STATED:
DIMENSIONS IN MILLIMETRES
TOLERANCES: LINEAR ± 0.1 ANGULAR ± 0.5°
SURFACE FINISH ∇ = ∇
DRAWING STANDARDS TO ATQS 6003
DATE FORMAT: DD/MM/YY

THIS DESIGN IS THE PROPERTY OF
S-CAN 3D LTD AND MUST NOT BE
REPRODUCED OR COMMUNICATED
WITHOUT AUTHORITY

CAD PLOT
DO NOT
SCALE

MATERIAL

SEE COMPONENT PARTS

FINISH

SEE COMPONENT PARTS

DRAWING TITLE

ASSY - DCOE - 2-CYL - L/R
PULL - 36MM - INJECTED -
3D PRINTED EXT

DRAWING NUMBER

102-121-00096

SHEET 2 OF 2 A3