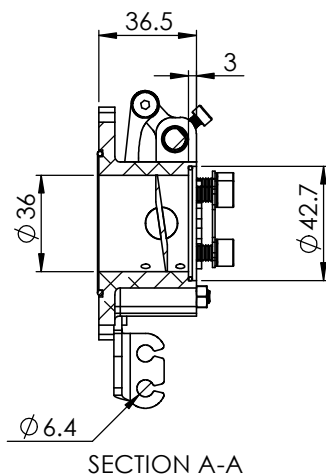
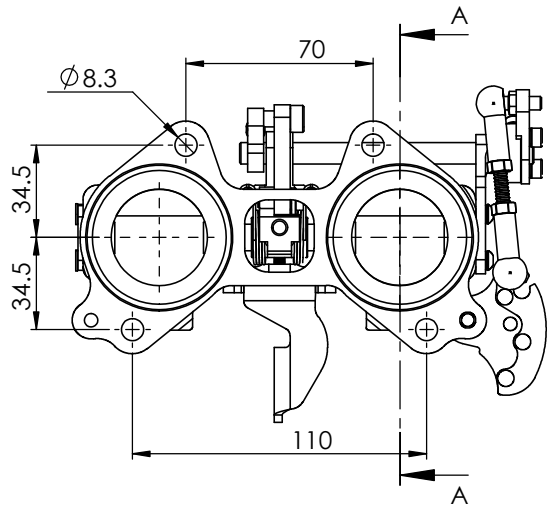
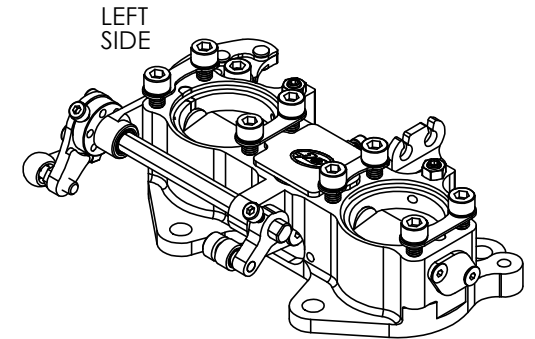
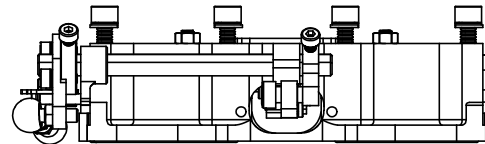
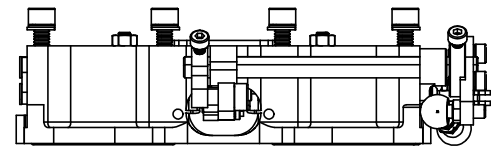
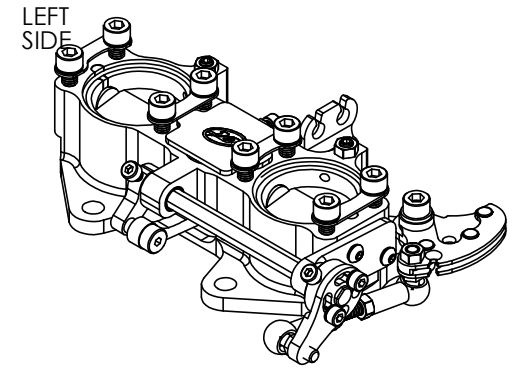
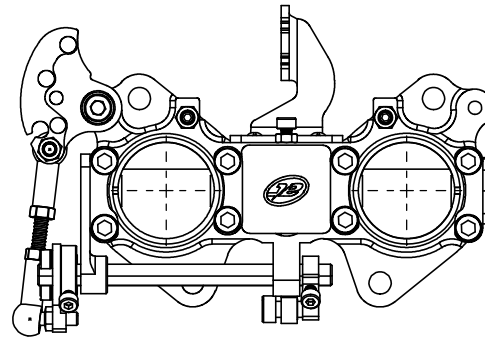
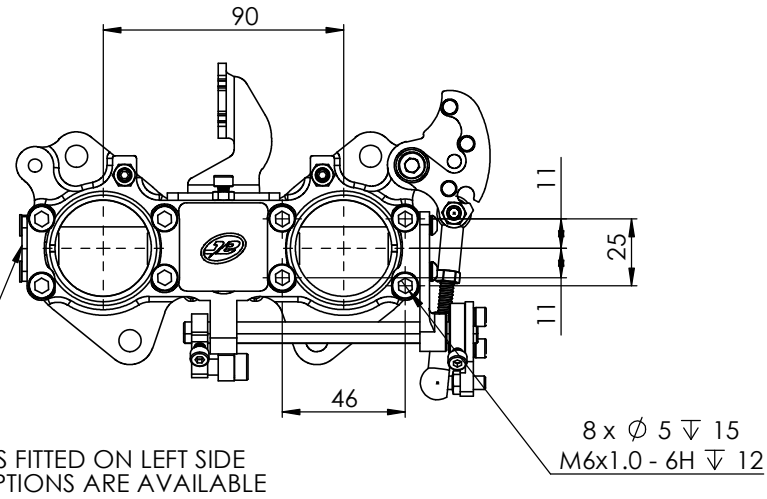


LINKAGE PULLING TO THE LEFT

LINKAGE PULLING TO THE RIGHT



S-CAN 3D Ltd  
Bunns Bank Ind Est  
Attleborough NR17 1QD

THIRD ANGLE PROJECTION

SCALE 1:2	WEIGHT 0.6 kg
DRAWN - S.HOW	
DATE - 23/04/26	
CHECKED - S.HOW	
APPROVED - S.HOW	

CAD PLOT  
DO NOT  
SCALE

MATERIAL	SEE COMPONENT PARTS
FINISH	SEE COMPONENT PARTS
DRAWING TITLE	ASSY - DCOE - 2-CYL - L/R PULL - 36MM - NON- INJECTED - 3D PRINTED EXT
DRAWING NUMBER	102-121-00097

SHEET 2 OF 2 A3

UNLESS OTHERWISE STATED:  
DIMENSIONS IN MILLIMETRES  
TOLERANCES: LINEAR ± 0.1 ANGULAR ± 0.5°  
SURFACE FINISH ∇ = ∇  
DRAWING STANDARDS TO ATQS 6003  
DATE FORMAT: DD/MM/YY

THIS DESIGN IS THE PROPERTY OF  
S-CAN 3D LTD AND MUST NOT BE  
REPRODUCED OR COMMUNICATED  
WITHOUT AUTHORITY