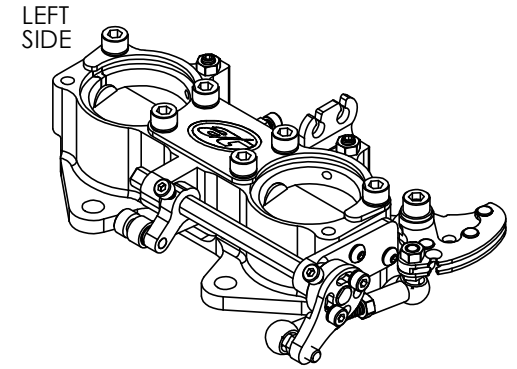
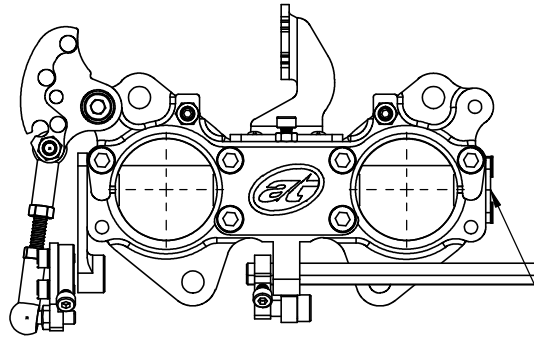
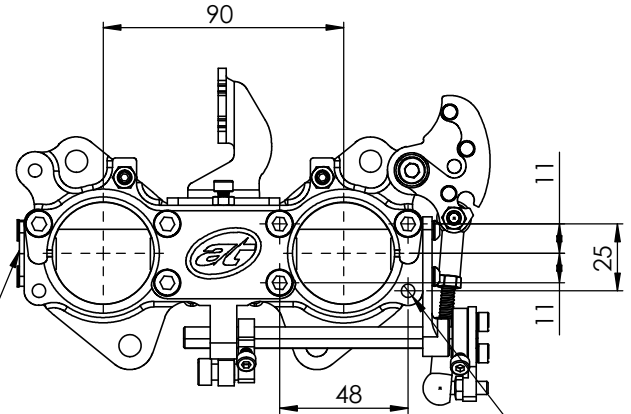


LINKAGE PULLING TO THE LEFT

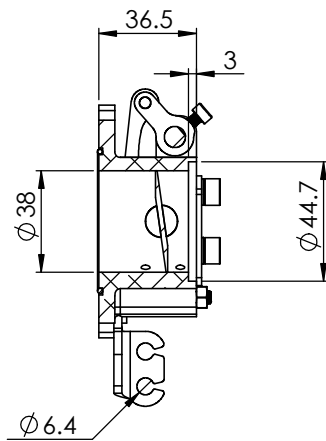
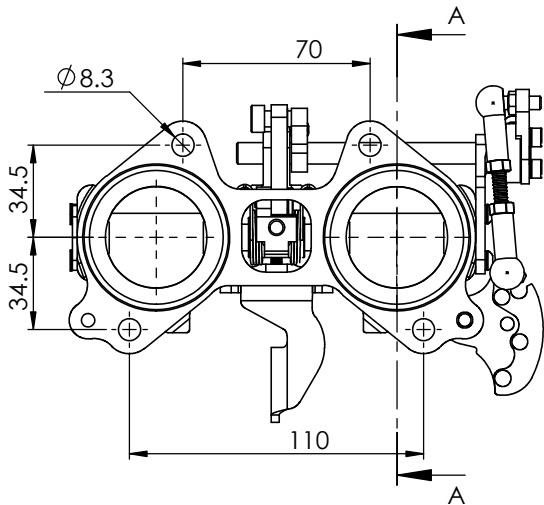
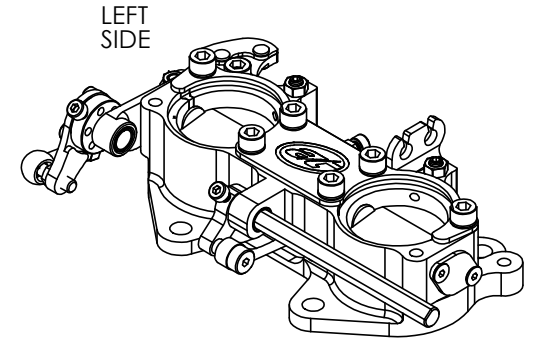
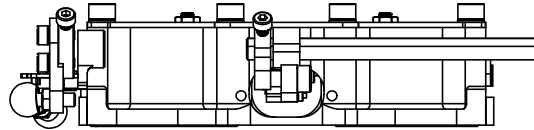
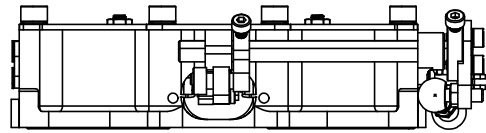
LINKAGE PULLING TO THE RIGHT



TPS FITTED ON LEFT SIDE
OPTIONS ARE AVAILABLE

8 x ϕ 5 ∇ 15
M6x1.0 - 6H ∇ 12

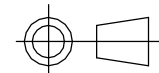
TPS FITTED ON RIGHT SIDE
OPTIONS ARE AVAILABLE



SECTION A-A



S-CAN 3D Ltd
Bunns Bank Ind Est
Attleborough NR17 1QD



THIRD ANGLE PROJECTION

SCALE 1:2 WEIGHT 0.6 kg

DRAWN- S.HOW

DATE - 23/04/26

CHECKED - S.HOW

APPROVED - S.HOW

UNLESS OTHERWISE STATED:
DIMENSIONS IN MILLIMETRES
TOLERANCES: LINEAR \pm 0.1 ANGULAR \pm 0.5°
SURFACE FINISH ∇ = ∇
DRAWING STANDARDS TO ATQS 6003
DATE FORMAT: DD/MM/YY

THIS DESIGN IS THE PROPERTY OF
S-CAN 3D LTD AND MUST NOT BE
REPRODUCED OR COMMUNICATED
WITHOUT AUTHORITY

CAD PLOT
DO NOT
SCALE

MATERIAL

SEE COMPONENT PARTS

FINISH

SEE COMPONENT PARTS

DRAWING TITLE

ASSY - DCOE - 2-CYL - L/R
PULL - 38MM - NON-
INJECTED - ALI EXT

DRAWING NUMBER

102-121-00098

SHEET 2 OF 2 A3