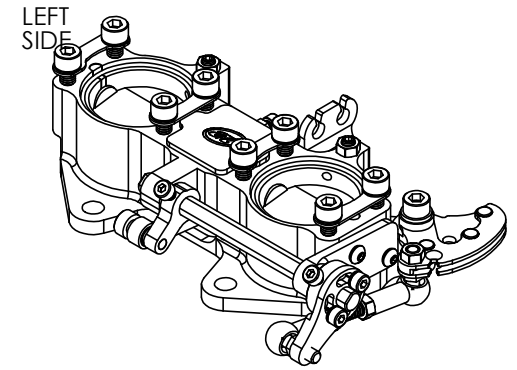
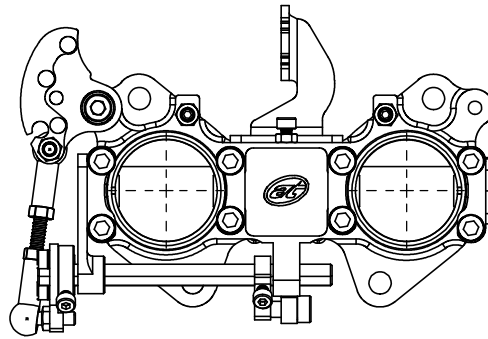
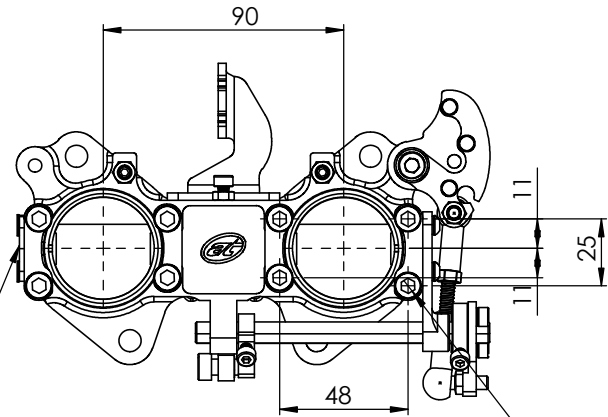


LINKAGE PULLING TO THE LEFT

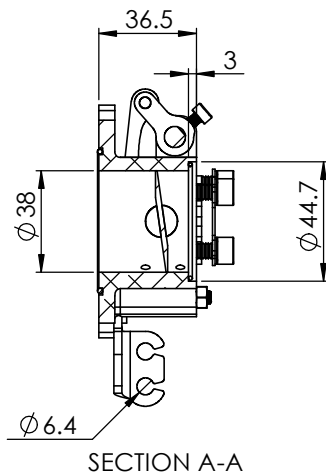
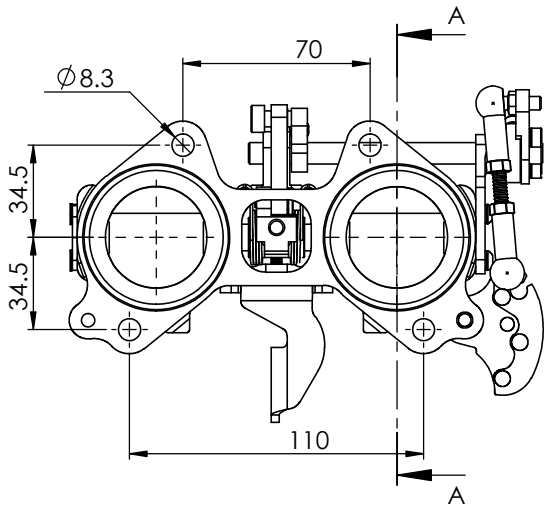
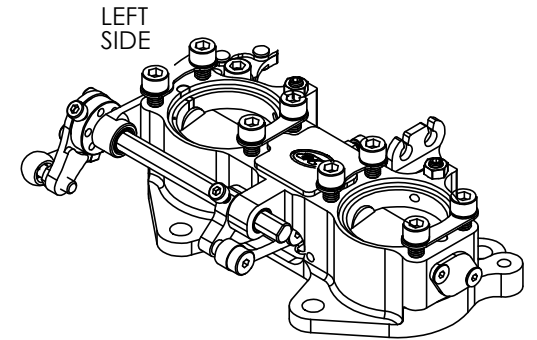
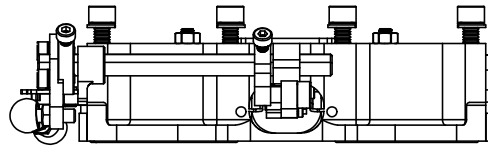
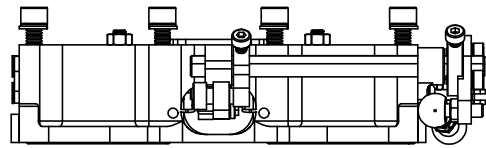
LINKAGE PULLING TO THE RIGHT



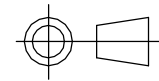
TPS FITTED ON LEFT SIDE
OPTIONS ARE AVAILABLE

8 x $\varnothing 5 \nabla 15$
M6x1.0 - 6H $\nabla 12$

TPS FITTED ON RIGHT SIDE
OPTIONS ARE AVAILABLE



S-CAN 3D Ltd
Bunns Bank Ind Est
Attleborough NR17 1QD



THIRD ANGLE PROJECTION
SCALE 1:2 WEIGHT 0.6 kg

DRAWN - S.HOW
DATE - 23/04/26

CHECKED - S.HOW
APPROVED - S.HOW

UNLESS OTHERWISE STATED:
DIMENSIONS IN MILLIMETRES
TOLERANCES: LINEAR ± 0.1 ANGULAR $\pm 0.5^\circ$
SURFACE FINISH $\nabla = \nabla$
DRAWING STANDARDS TO ATQS 6003
DATE FORMAT: DD/MM/YY
THIS DESIGN IS THE PROPERTY OF
S-CAN 3D LTD AND MUST NOT BE
REPRODUCED OR COMMUNICATED
WITHOUT AUTHORITY

CAD PLOT
DO NOT
SCALE

MATERIAL	SEE COMPONENT PARTS
FINISH	SEE COMPONENT PARTS
DRAWING TITLE	ASSY - DCOE - 2-CYL - L/R PULL - 38MM - NON- INJECTED - 3D PRINTED EXT
DRAWING NUMBER	102-121-00100