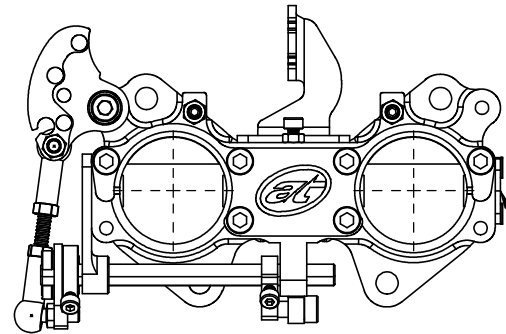
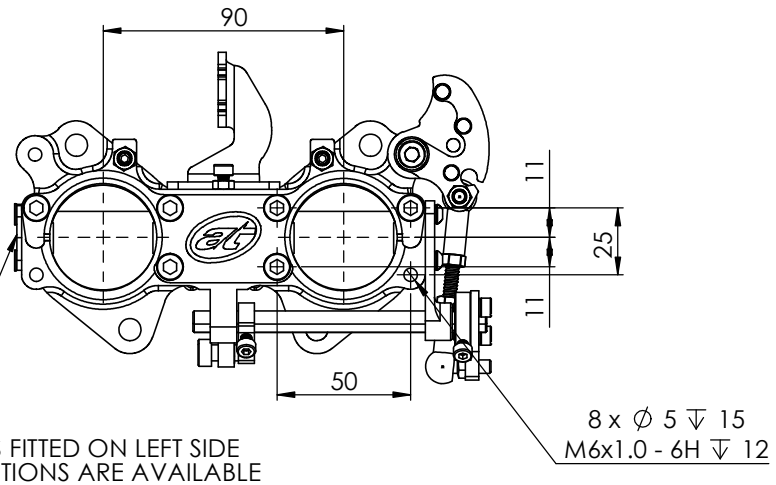
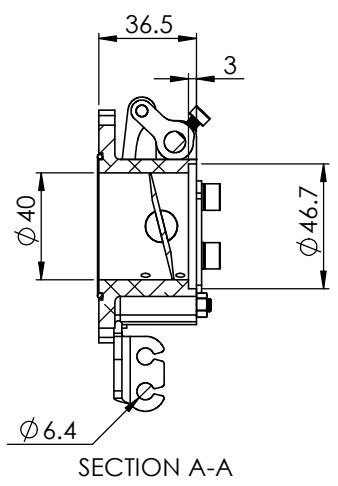
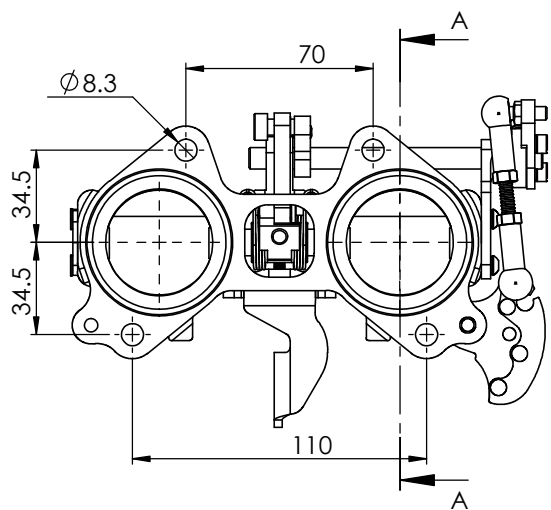
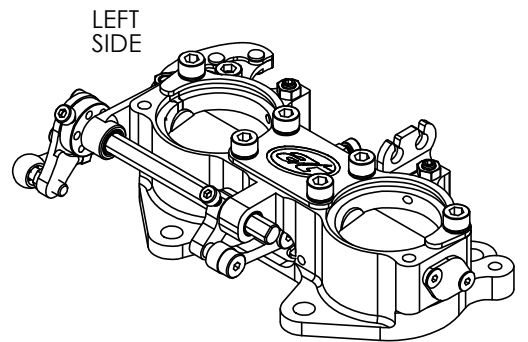
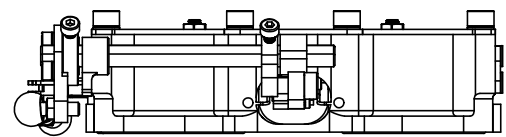
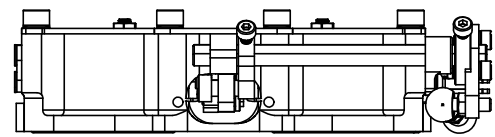
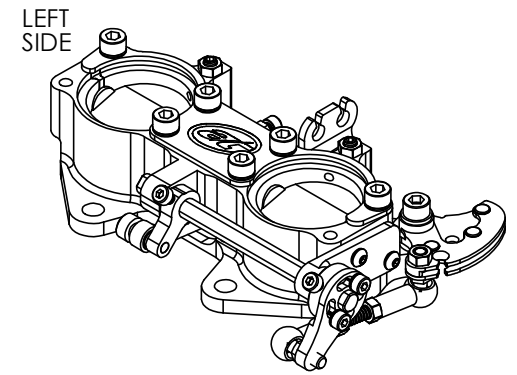


LINKAGE PULLING TO THE LEFT

LINKAGE PULLING TO THE RIGHT



TPS FITTED ON RIGHT SIDE
OPTIONS ARE AVAILABLE

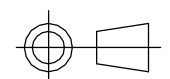


S-CAN 3D Ltd
Bunns Bank Ind Est
Attleborough NR17 1QD

UNLESS OTHERWISE STATED:
DIMENSIONS IN MILLIMETRES
TOLERANCES: LINEAR ± 0.1 ANGULAR ± 0.5°
SURFACE FINISH ∇ = ∇
DRAWING STANDARDS TO ATQS 6003
DATE FORMAT: DD/MM/YY

THIS DESIGN IS THE PROPERTY OF
S-CAN 3D LTD AND MUST NOT BE
REPRODUCED OR COMMUNICATED
WITHOUT AUTHORITY

CAD PLOT
DO NOT
SCALE



THIRD ANGLE PROJECTION

SCALE 1:2 WEIGHT 0.6 kg

DRAWN - S.HOW

DATE - 23/04/26

CHECKED - S.HOW

APPROVED - S.HOW

MATERIAL	SEE COMPONENT PARTS
FINISH	SEE COMPONENT PARTS
DRAWING TITLE	ASSY - DCOE - 2-CYL - L/R PULL - 40MM - NON- INJECTED - ALI EXT
DRAWING NUMBER	102-121-00101