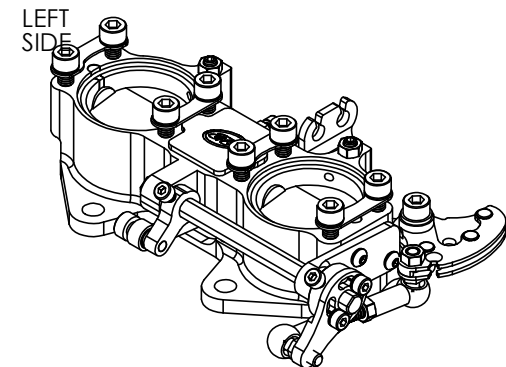
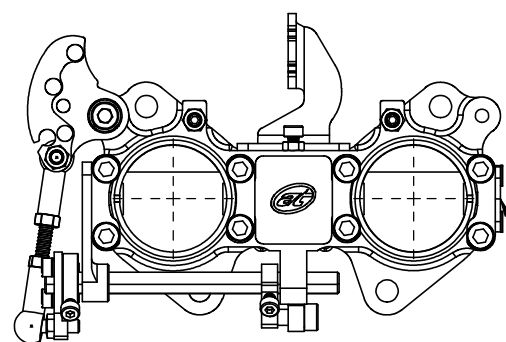
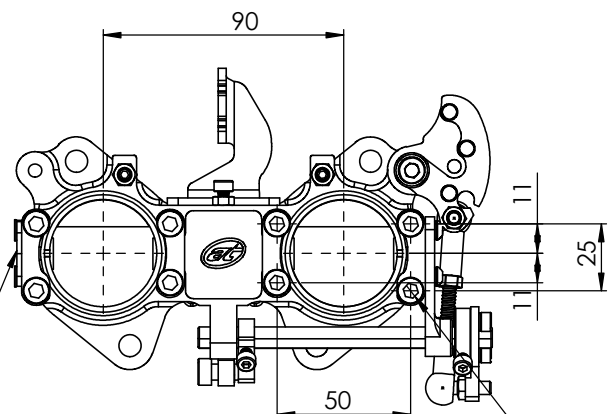


LINKAGE PULLING TO THE LEFT

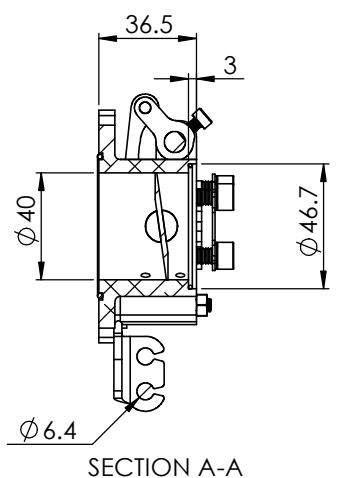
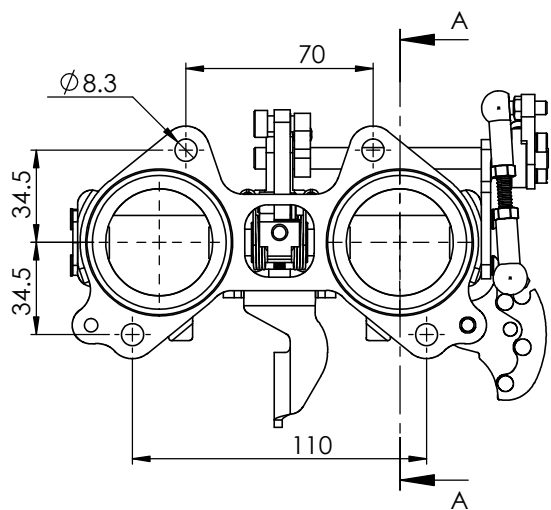
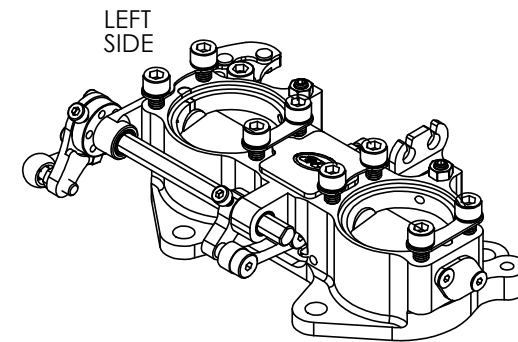
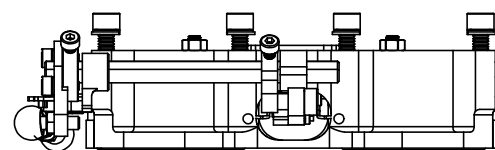
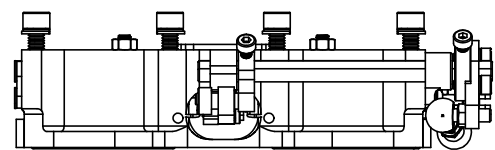
LINKAGE PULLING TO THE RIGHT



TPS FITTED ON LEFT SIDE
OPTIONS ARE AVAILABLE

8 x $\phi 5 \nabla 15$
M6x1.0 - 6H $\nabla 12$

TPS FITTED ON RIGHT SIDE
OPTIONS ARE AVAILABLE



SECTION A-A

S-CAN 3D Ltd
Bunns Bank Ind Est
Attleborough NR17 1QD

THIRD ANGLE PROJECTION

SCALE 1:2	WEIGHT 0.6 kg
--------------	------------------

MATERIAL	SEE COMPONENT PARTS
FINISH	SEE COMPONENT PARTS
DRAWING TITLE	ASSY - DCOE - 2-CYL - L/R PULL - 40MM - NON- INJECTED - 3D PRINTED EXT
DRAWING NUMBER	102-121-00103

UNLESS OTHERWISE STATED:
DIMENSIONS IN MILLIMETRES
TOLERANCES: LINEAR ± 0.1 ANGULAR $\pm 0.5^\circ$
SURFACE FINISH $\nabla = \nabla$
DRAWING STANDARDS TO ATQS 6003
DATE FORMAT: DD/MM/YY

THIS DESIGN IS THE PROPERTY OF
S-CAN 3D LTD AND MUST NOT BE
REPRODUCED OR COMMUNICATED
WITHOUT AUTHORITY

CAD PLOT
DO NOT
SCALE

DRAWN- S.HOW
DATE - 24/04/26
CHECKED - S.HOW
APPROVED - S.HOW