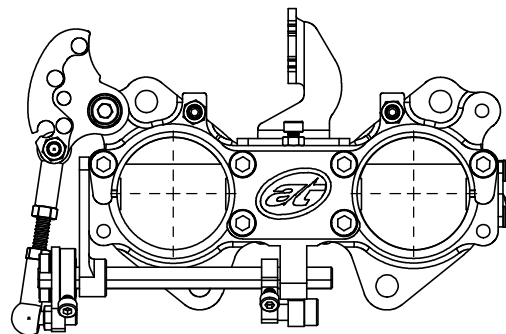
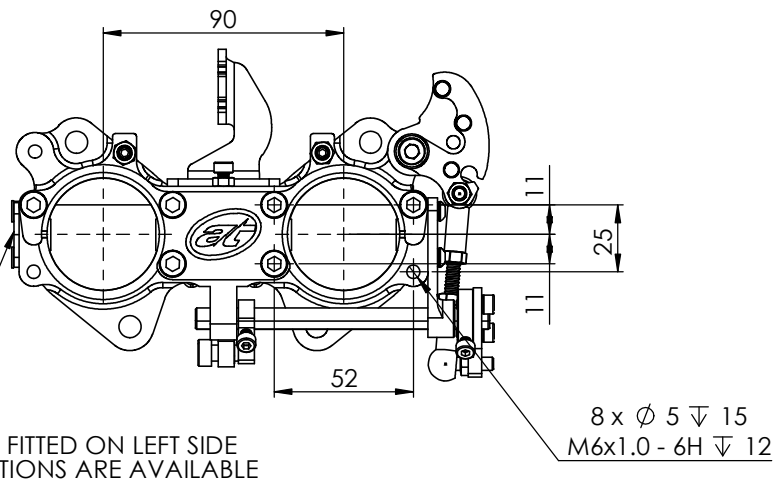
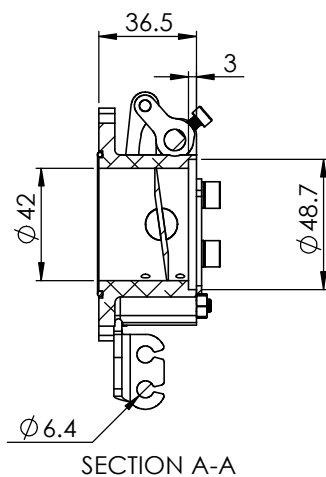
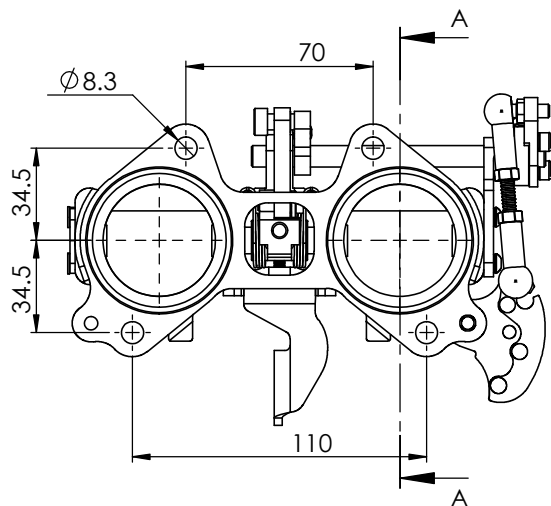
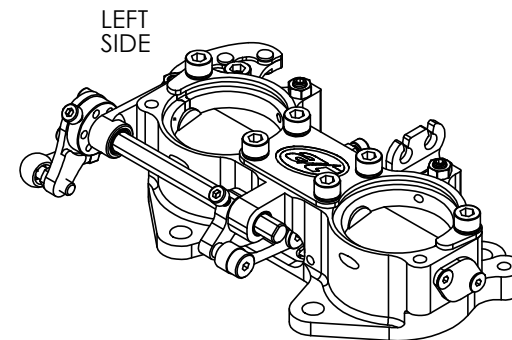
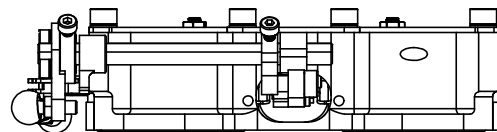
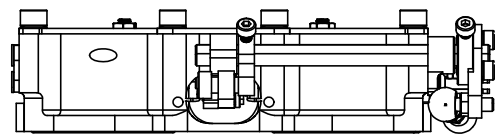
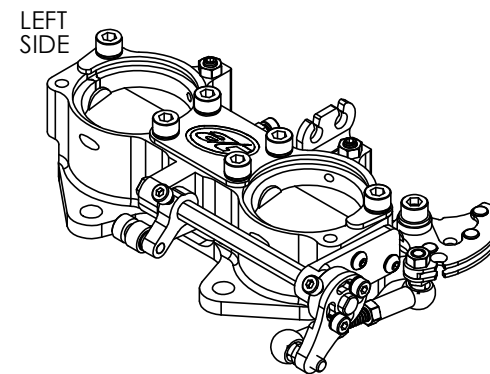


LINKAGE PULLING TO THE LEFT

LINKAGE PULLING TO THE RIGHT



TPS FITTED ON RIGHT SIDE
OPTIONS ARE AVAILABLE



S-CAN 3D Ltd
Bunns Bank Ind Est
Attleborough NR17 1QD

THIRD ANGLE PROJECTION

SCALE 1:2	WEIGHT 0.6 kg
DRAWN - S.HOW	
DATE - 24/04/26	
CHECKED - S.HOW	
APPROVED - S.HOW	

MATERIAL	SEE COMPONENT PARTS
FINISH	SEE COMPONENT PARTS
DRAWING TITLE	ASSY - DCOE - 2-CYL - L/R PULL - 42MM - NON- INJECTED - ALI EXT
DRAWING NUMBER	102-121-00104

UNLESS OTHERWISE STATED:
DIMENSIONS IN MILLIMETRES
TOLERANCES: LINEAR ± 0.1 ANGULAR ± 0.5°
SURFACE FINISH ∇ = ∇
DRAWING STANDARDS TO ATQS 6003
DATE FORMAT: DD/MM/YY

THIS DESIGN IS THE PROPERTY OF
S-CAN 3D LTD AND MUST NOT BE
REPRODUCED OR COMMUNICATED
WITHOUT AUTHORITY

CAD PLOT
DO NOT
SCALE