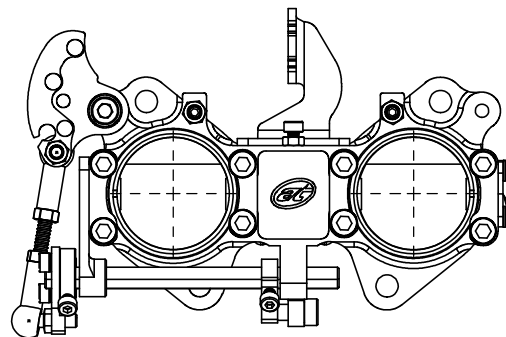
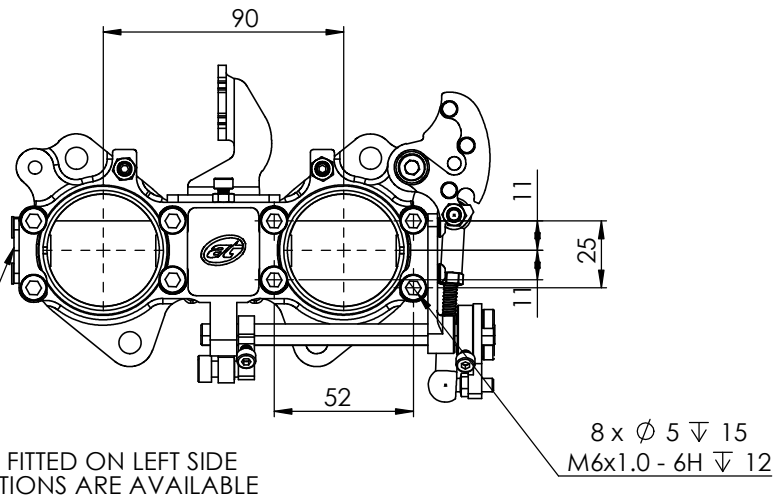
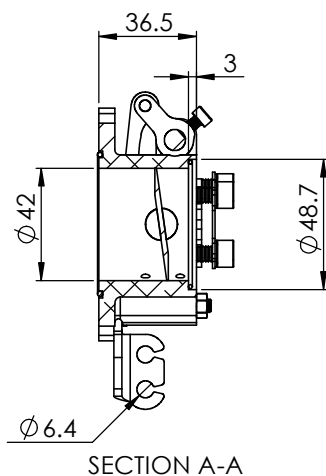
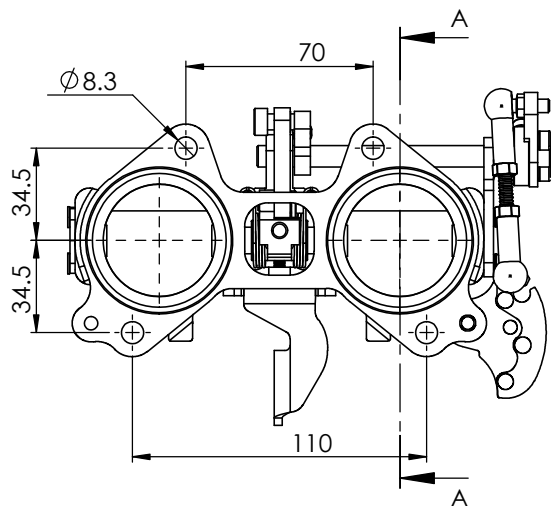
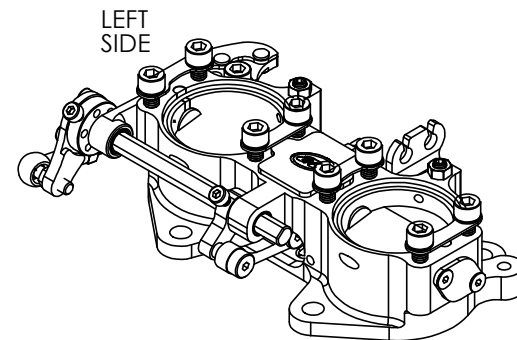
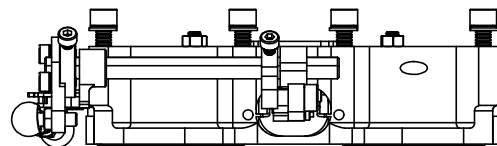
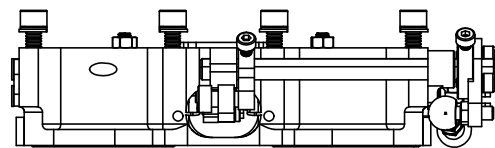
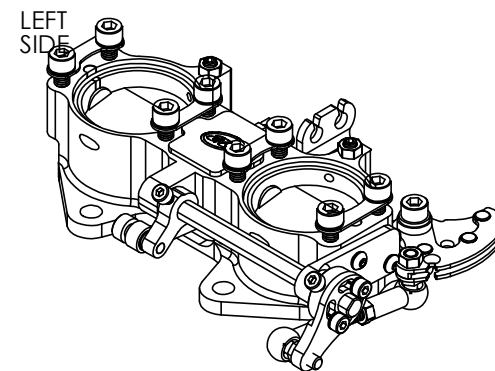


LINKAGE PULLING TO THE LEFT

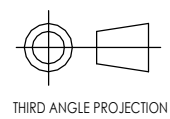
LINKAGE PULLING TO THE RIGHT



TPS FITTED ON RIGHT SIDE
OPTIONS ARE AVAILABLE



S-CAN 3D Ltd
Bunns Bank Ind Est
Attleborough NR17 1QD



SCALE 1:2 WEIGHT 0.6 kg

DRAWN - S.HOW

DATE - 24/04/26

CHECKED - S.HOW

APPROVED - S.HOW

UNLESS OTHERWISE STATED:
DIMENSIONS IN MILLIMETRES
TOLERANCES: LINEAR ± 0.1 ANGULAR ± 0.5°
SURFACE FINISH ∇ = ∇
DRAWING STANDARDS TO ATQS 6003
DATE FORMAT: DD/MM/YY
THIS DESIGN IS THE PROPERTY OF
S-CAN 3D LTD AND MUST NOT BE
REPRODUCED OR COMMUNICATED
WITHOUT AUTHORITY

CAD PLOT
DO NOT
SCALE

MATERIAL	SEE COMPONENT PARTS
FINISH	SEE COMPONENT PARTS
DRAWING TITLE	ASSY - DCOE - 2-CYL - L/R PULL - 42MM - NON- INJECTED - 3D PRINTED EXT
DRAWING NUMBER	102-121-00106