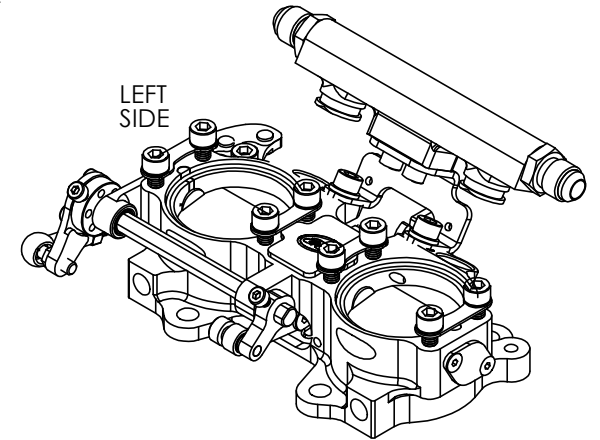
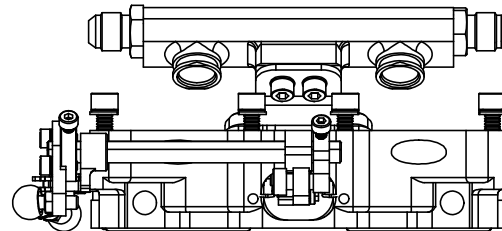
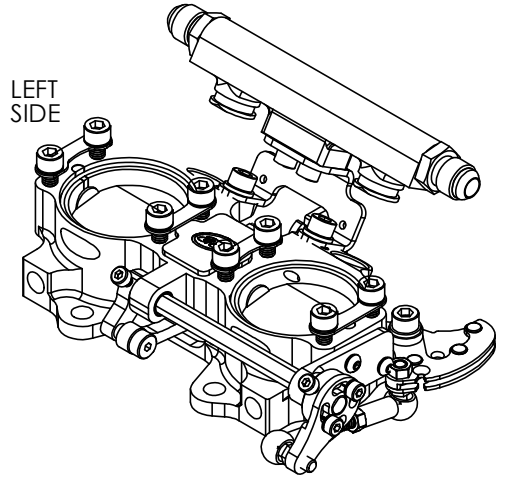
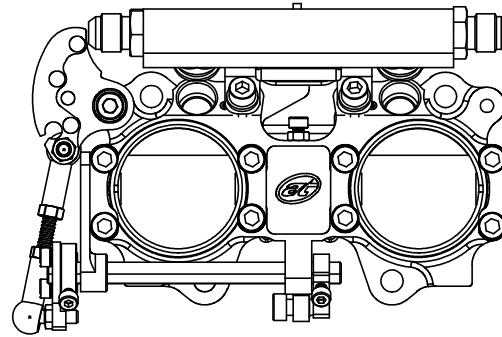
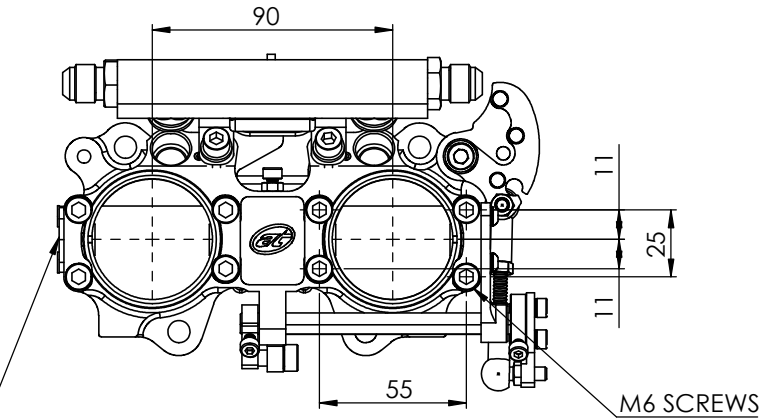


LINKAGE PULLING TO THE LEFT

LINKAGE PULLING TO THE RIGHT

LEFT SIDE

LEFT SIDE

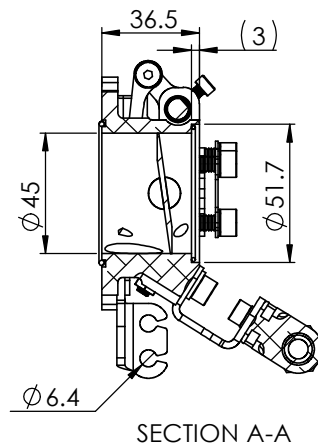
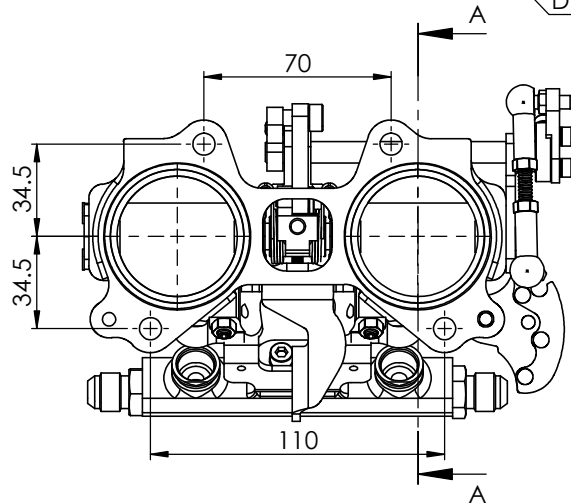


TPS FITTED ON LEFT SIDE
OPTIONS ARE AVAILABLE

TPS FITTED ON RIGHT SIDE
OPTIONS ARE AVAILABLE

AN6 MALE FITTING
BOTH ENDS

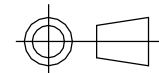
1/8" BSP VACUUM TAKE
OFFS AVAILABLE
DRILL 4MM HOLE THROUGH IF REQUIRED



SECTION A-A



S-CAN 3D Ltd
Bunns Bank Ind Est
Attleborough NR17 1QD



THIRD ANGLE PROJECTION

SCALE 1:2 WEIGHT 0.8 kg

DRAWN - S.HOW

DATE - 24/04/26

CHECKED - S.HOW

APPROVED - S.HOW

UNLESS OTHERWISE STATED:
DIMENSIONS IN MILLIMETRES
TOLERANCES: LINEAR ± 0.1 ANGULAR ± 0.5°
SURFACE FINISH √ = √
DRAWING STANDARDS TO ATQS 6003
DATE FORMAT: DD/MM/YY

THIS DESIGN IS THE PROPERTY OF
S-CAN 3D LTD AND MUST NOT BE
REPRODUCED OR COMMUNICATED
WITHOUT AUTHORITY

CAD PLOT
DO NOT
SCALE

MATERIAL

SEE COMPONENT PARTS

FINISH

SEE COMPONENT PARTS

DRAWING TITLE

ASSY - DCOE - 2-CYL - L/R
PULL - 45MM - INJECTED -
3D PRINTED EXT

DRAWING NUMBER

102-121-00108

SHEET 2 OF 2 A3