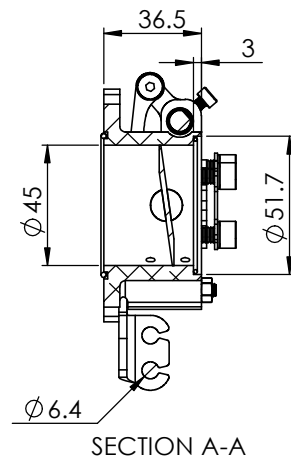
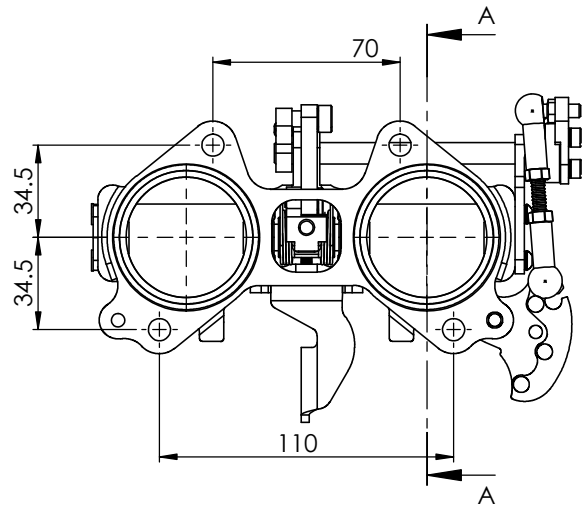
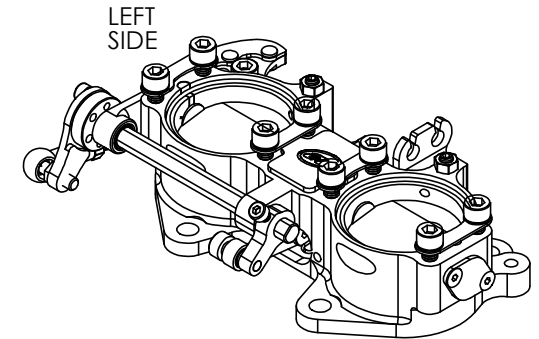
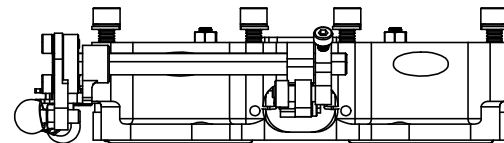
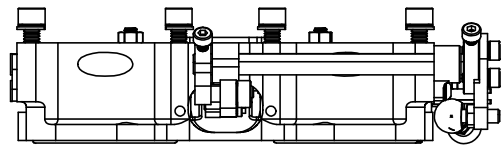
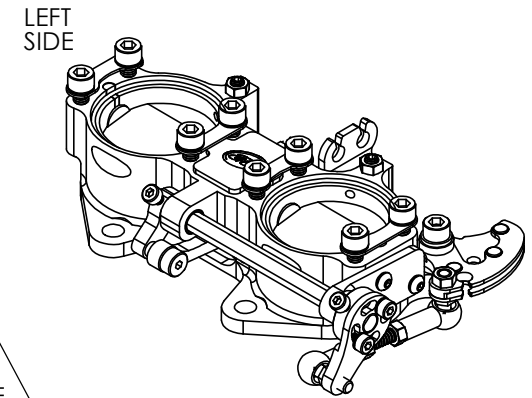
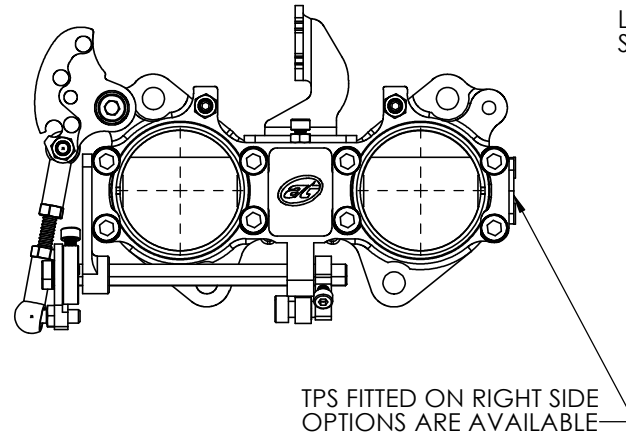
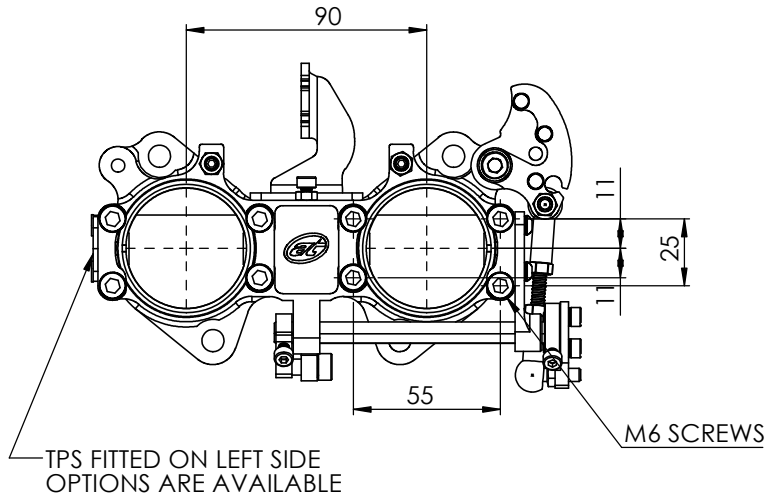

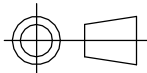


LINKAGE PULLING TO THE LEFT

LINKAGE PULLING TO THE RIGHT



 S-CAN 3D Ltd Buns Bank Ind Est Attleborough NR17 1QD	 THIRD ANGLE PROJECTION		MATERIAL
	SCALE 1:2	WEIGHT 0.6 kg	SEE COMPONENT PARTS
UNLESS OTHERWISE STATED: DIMENSIONS IN MILLIMETRES TOLERANCES: LINEAR ±0.1 ANGULAR ±0.5° SURFACE FINISH √=√ DRAWING STANDARDS TO ATQS 6003 DATE FORMAT: DD/MM/YY THIS DESIGN IS THE PROPERTY OF S-CAN 3D LTD AND MUST NOT BE REPRODUCED OR COMMUNICATED WITHOUT AUTHORITY	DRAWN - S.HOW	DATE - 24/04/26	DRAWING TITLE
	CHECKED - S.HOW	APPROVED - S.HOW	ASSY - DCOE - 2-CYL - L/R PULL - 45MM - NON- INJECTED - 3D PRINTED EXT
CAD PLOT DO NOT SCALE	DRAWING NUMBER		102-121-00109