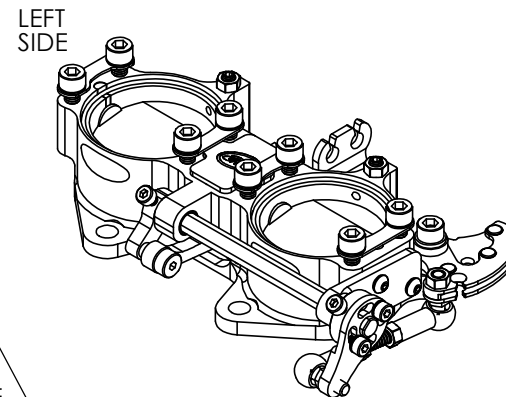
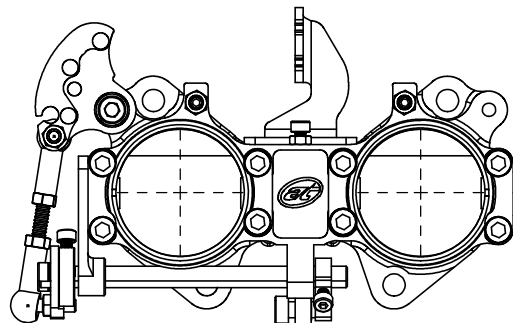
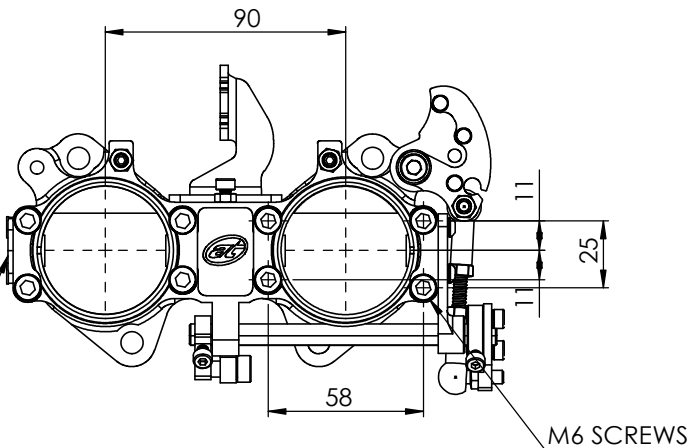


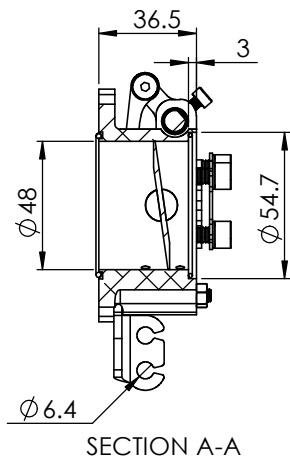
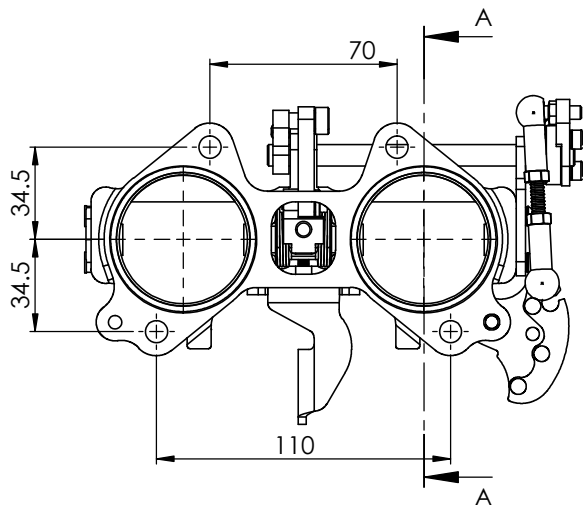
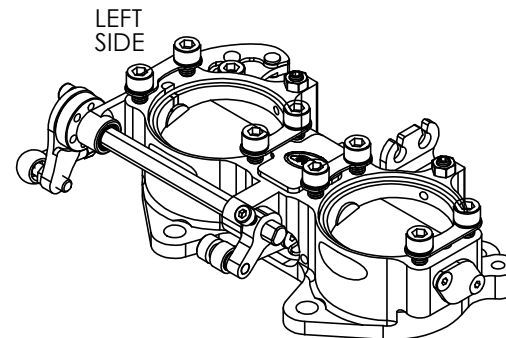
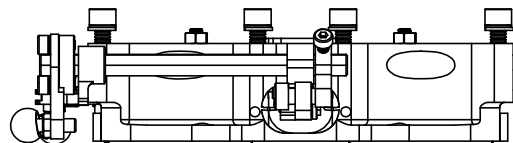
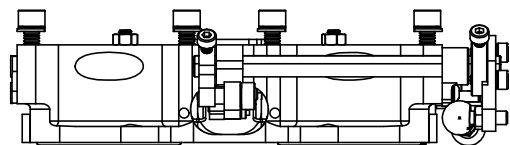
LINKAGE PULLING TO THE LEFT

LINKAGE PULLING TO THE RIGHT

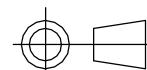


TPS FITTED ON LEFT SIDE
OPTIONS ARE AVAILABLE

TPS FITTED ON RIGHT SIDE
OPTIONS ARE AVAILABLE



S-CAN 3D Ltd
Bunns Bank Ind Est
Attleborough NR17 1QD



THIRD ANGLE PROJECTION

SCALE
1:2

WEIGHT
0.6 kg

DRAWN - S.HOW

DATE - 27/04/26

CHECKED - S.HOW

APPROVED - S.HOW

UNLESS OTHERWISE STATED:
DIMENSIONS IN MILLIMETRES
TOLERANCES: LINEAR ± 0.1 ANGULAR $\pm 0.5^\circ$
SURFACE FINISH $\sqrt{\text{V}}$ = $\sqrt{\text{V}}$
DRAWING STANDARDS TO ATQS 6003
DATE FORMAT: DD/MM/YY

THIS DESIGN IS THE PROPERTY OF
S-CAN 3D LTD AND MUST NOT BE
REPRODUCED OR COMMUNICATED
WITHOUT AUTHORITY

CAD PLOT
DO NOT
SCALE

MATERIAL

SEE COMPONENT PARTS

FINISH

SEE COMPONENT PARTS

DRAWING TITLE

ASSY - DCOE - 2-CYL - L/R
PULL - 48MM - NON-
INJECTED - 3D PRINTED EXT

DRAWING NUMBER

102-121-00112

SHEET 2 OF 2 A3