

RIGHT SIDE

LEFT SIDE

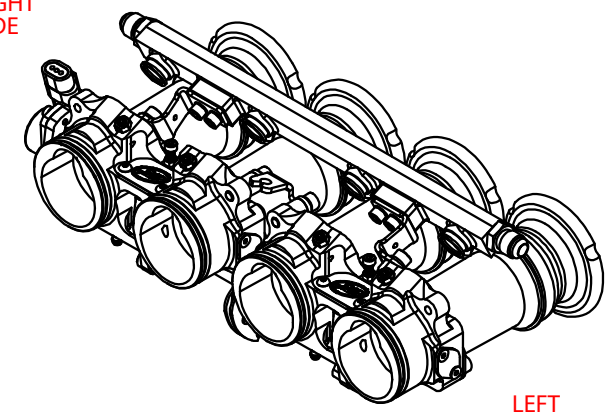
TPS OPTIONS AVAILABLE CAN BE FITTED BOTH ENDS

Magneti Marelli Type	
Fitting	TPS
Wabash	
Fitting	TPS
Variomh XPD	
Fitting	TPS

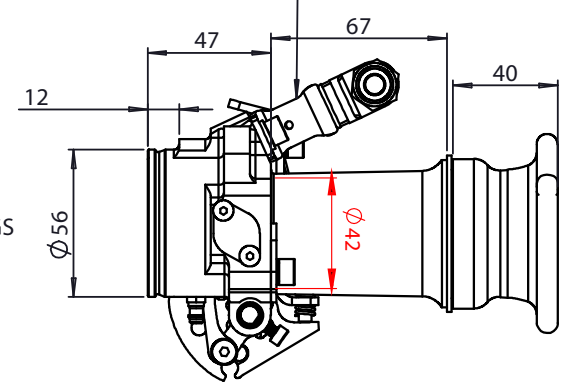
MEGAFLOW AIR FILTER SOLD SEPERATLY
JC50/S65
PART No. 102-108-00039

RIGHT SIDE

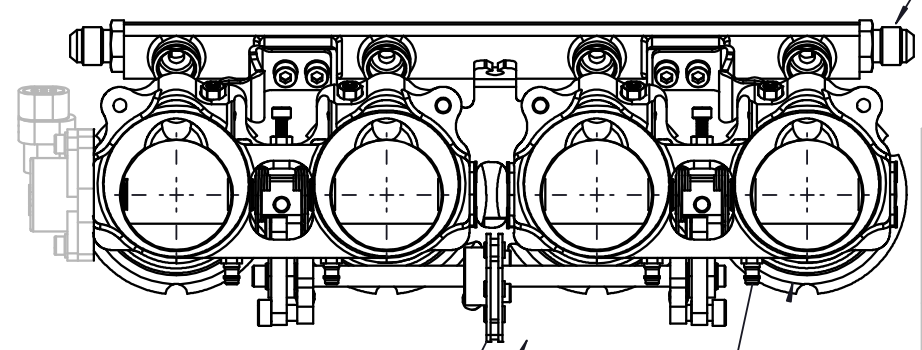
LEFT SIDE



BRACKET FITTED IS SUITABLE FOR PICO FUEL INJECTORS



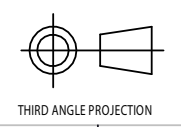
AN-6 MALE FITTINGS AT BOTH ENDS



CENTRE PULL CABLE LINKAGE

4 X 6MM VACUUM TAKE OFF FITTINGS

S-CAN 3D Ltd
Bunns Bank Ind Est
Attleborough NR17 1QD



MATERIAL	SEE COMPONENT PARTS
FINISH	SEE COMPONENT PARTS
DRAWING TITLE	ASSY - SUZUKI HAYABUSA GEN-1 - 42MM STD INJ - PRE- CONFIGURED - CAR
DRAWING NUMBER	102-102-00661

UNLESS OTHERWISE STATED:
DIMENSIONS IN MILLIMETRES
TOLERANCES: LINEAR ± 0.1 ANGULAR $\pm 0.5^\circ$
SURFACE FINISH $\sqrt{\text{V}}$
DRAWING STANDARDS TO ATQS 6003
DATE FORMAT: DD/MM/YY

THIS DESIGN IS THE PROPERTY OF S-CAN 3D LTD AND MUST NOT BE REPRODUCED OR COMMUNICATED WITHOUT AUTHORITY

CAD PLOT DO NOT SCALE

SCALE	1:2	WEIGHT	2.073 kg
DRAWN-	S.HOW	DATE -	19/03/26
CHECKED -	S.HOW	APPROVED -	S.HOW