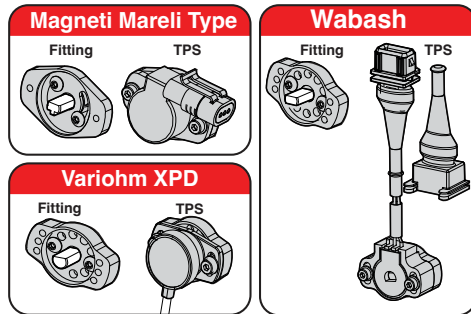


RIGHT SIDE

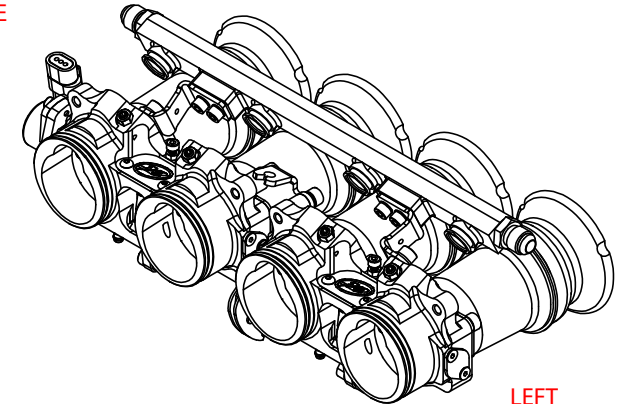
LEFT SIDE

TPS OPTIONS AVAILABLE
CAN BE FITTED BOTH ENDS



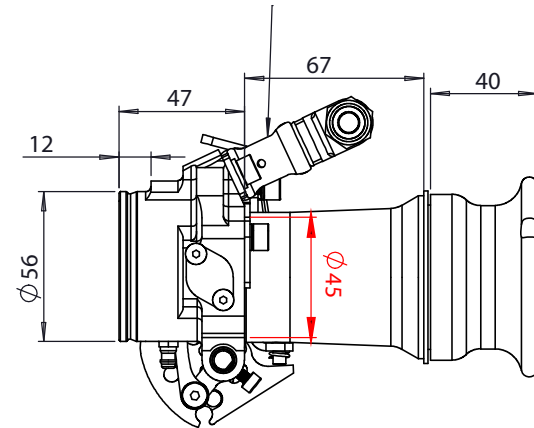
RIGHT SIDE

MEGAFLOW AIR FILTER SOLD SEPERATLY
JC50/S65
PART No. 102-108-00039

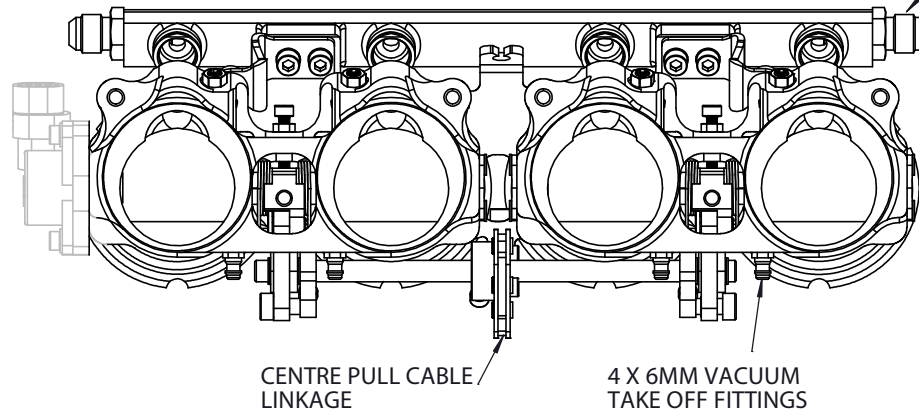


LEFT SIDE

BRACKET FITTED IS SUITABLE
FOR PICO FUEL INJECTORS



AN-6 MALE FITTINGS
AT BOTH ENDS

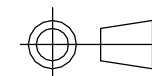


CENTRE PULL CABLE
LINKAGE

4 X 6MM VACUUM
TAKE OFF FITTINGS



S-CAN 3D Ltd
Bunns Bank Ind Est
Attleborough NR17 1QD



THIRD ANGLE PROJECTION

SCALE 1:2 WEIGHT 2.069 kg

DRAWN- S.HOW

DATE- 19/03/26

CHECKED- S.HOW

APPROVED- S.HOW

MATERIAL

SEE COMPONENT PARTS

FINISH

SEE COMPONENT PARTS

DRAWING TITLE

ASSY - SUZUKI HAYABUSA
GEN-1 - **45MM STD INJ** - PRE-
CONFIGURED - CAR

DRAWING NUMBER

102-102-00662

UNLESS OTHERWISE STATED:
DIMENSIONS IN MILLIMETRES
TOLERANCES: LINEAR ± 0.1 ANGULAR $\pm 0.5^\circ$
SURFACE FINISH $\sqrt{}$ = $\sqrt{}$
DRAWING STANDARDS TO ATQS 6003
DATE FORMAT: DD/MM/YY

THIS DESIGN IS THE PROPERTY OF
S-CAN 3D LTD AND MUST NOT BE
REPRODUCED OR COMMUNICATED
WITHOUT AUTHORITY

CAD PLOT
DO NOT
SCALE