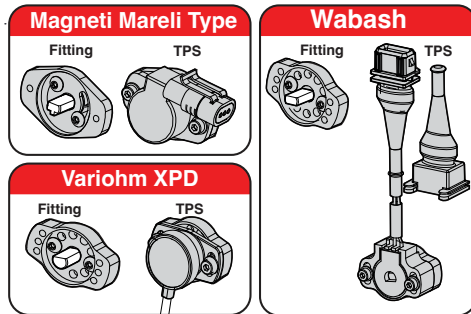
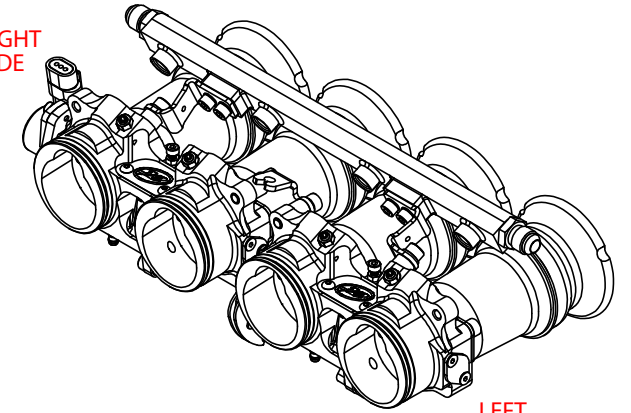


TPS OPTIONS AVAILABLE  
CAN BE FITTED BOTH ENDS

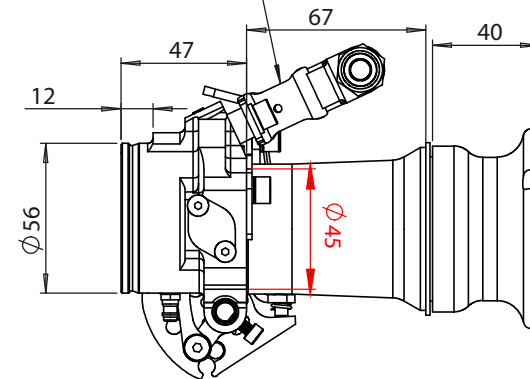


RIGHT  
SIDE

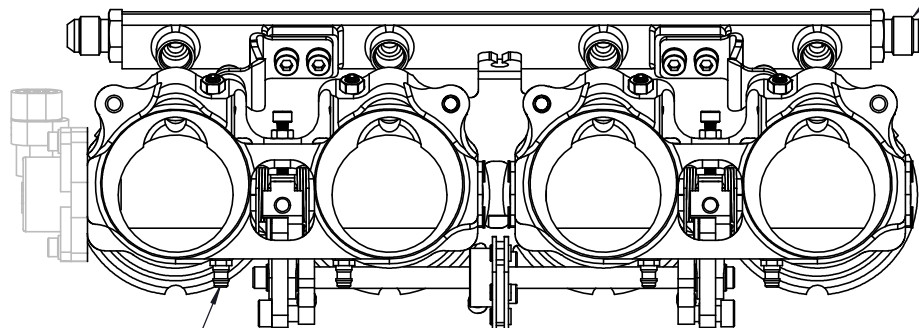


LEFT  
SIDE

BRACKET FITTED IS SUITABLE  
FOR PICO FUEL INJECTORS



AN-6 MALE FITTINGS  
AT BOTH ENDS

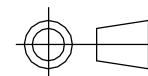


4 X 6MM VACUUM  
TAKE OFF FITTINGS

CENTRE PULL CABLE  
LINKAGE



S-CAN 3D Ltd  
Bunns Bank Ind Est  
Attleborough NR17 1QD



THIRD ANGLE PROJECTION

SCALE 1:2 WEIGHT 2.046 kg

DRAWN- S.HOW

DATE- 19/03/26

CHECKED- S.HOW

APPROVED- S.HOW

UNLESS OTHERWISE STATED:  
DIMENSIONS IN MILLIMETRES  
TOLERANCES: LINEAR  $\pm 0.1$  ANGULAR  $\pm 0.5^\circ$   
SURFACE FINISH  $\sqrt{=}$   $\sqrt{\neq}$   
DRAWING STANDARDS TO ATQS 6003  
DATE FORMAT: DD/MM/YY

THIS DESIGN IS THE PROPERTY OF  
S-CAN 3D LTD AND MUST NOT BE  
REPRODUCED OR COMMUNICATED  
WITHOUT AUTHORITY

CAD PLOT  
DO NOT  
SCALE

MATERIAL

SEE COMPONENT PARTS

FINISH

SEE COMPONENT PARTS

DRAWING TITLE

ASSY - SUZUKI HAYABUSA  
GEN-1 - **45MM OEM INJ** -  
PRE-CONFIGURED - CAR

DRAWING NUMBER

102-102-00664