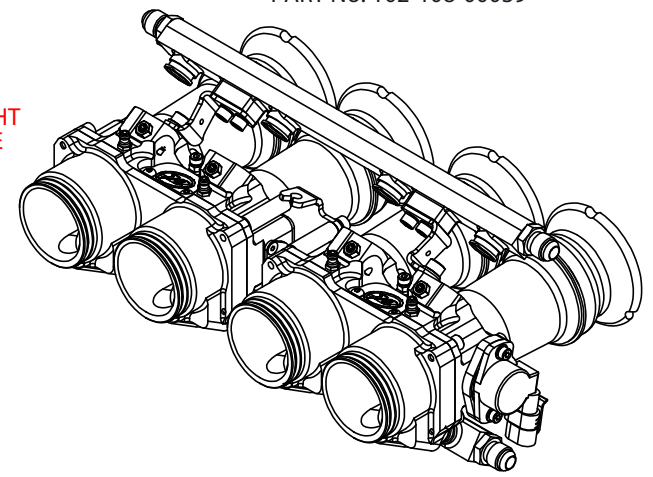


MEGAFLOW AIR FILTER SOLD SEPERATLY
JC50/S65
PART No. 102-108-00039

RIGHT SIDE



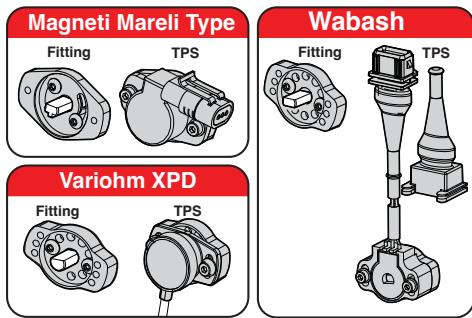
LEFT SIDE

RIGHT SIDE

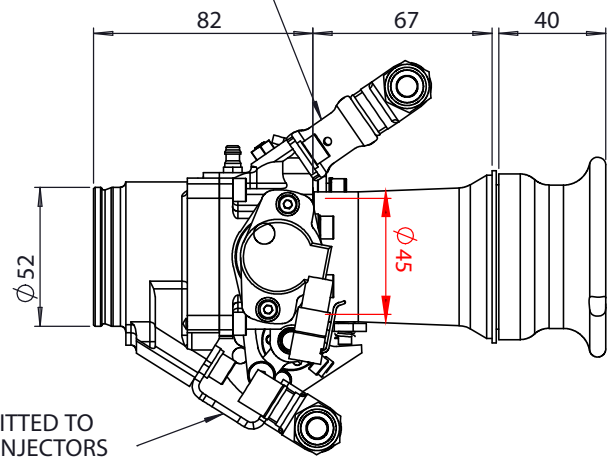
LEFT SIDE

TPS OPTIONS AVAILABLE
CAN BE FITTED BOTH ENDS

4 X 6MM VACUUM
TAKE OFF FITTINGS

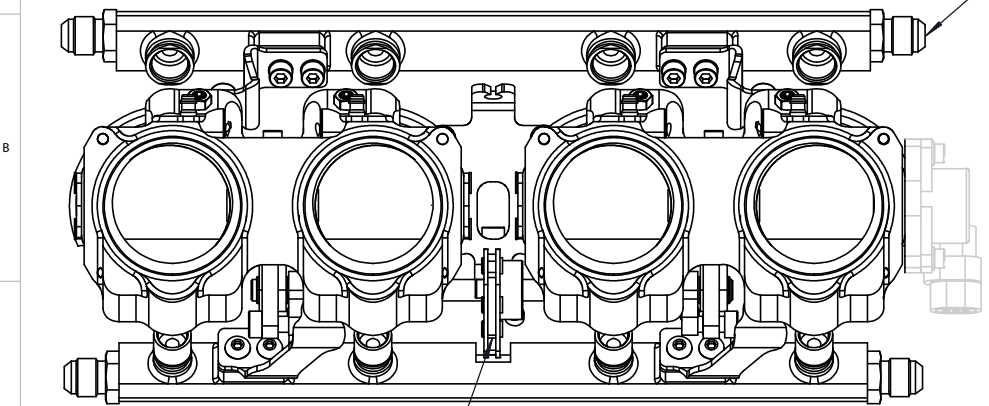


BRACKET FITTED IS SUITABLE
FOR PICO FUEL INJECTORS



AN-6 MALE FITTINGS
AT BOTH ENDS

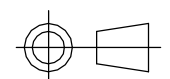
BRACKETS FITTED TO
SUITE OEM INJECTORS



CENTRE PULL CABLE
LINKAGE



S-CAN 3D Ltd
Bunns Bank Ind Est
Attleborough NR17 1QD



THIRD ANGLE PROJECTION

WEIGHT
2.968 kg

UNLESS OTHERWISE STATED:
DIMENSIONS IN MILLIMETRES
TOLERANCES: LINEAR ±0.1 ANGULAR ±0.5°
SURFACE FINISH √ = √
DRAWING STANDARDS TO ATQS 6003
DATE FORMAT: DD/MM/YY

DRAWN-	S.SHOW
DATE-	20/03/26
CHECKED-	S.SHOW
APPROVED-	S.SHOW

THIS DESIGN IS THE PROPERTY OF
S-CAN 3D LTD AND MUST NOT BE
REPRODUCED OR COMMUNICATED
WITHOUT AUTHORITY

CAD PLOT
DO NOT
SCALE

MATERIAL	SEE COMPONENT PARTS
FINISH	SEE COMPONENT PARTS
DRAWING TITLE	ASSY - SUZUKI HAYABUSA GEN-2 - 45MM 4 PICO + 4OEM INJ - PRE-CONFIGURED - CAR
DRAWING NUMBER	102-102-00665