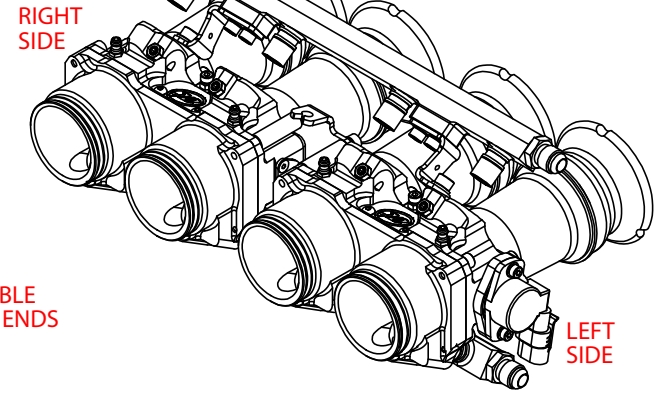
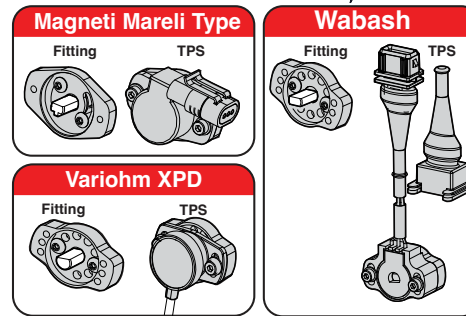


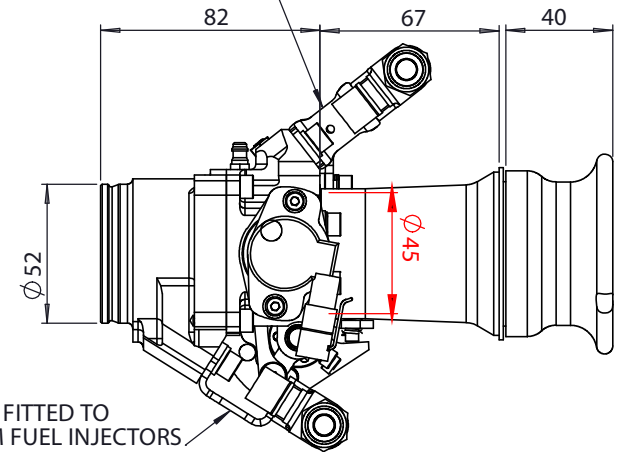
MEGAFLOW AIR FILTER SOLD SEPERATLY  
 JC50/S65  
 PART No. 102-108-00039



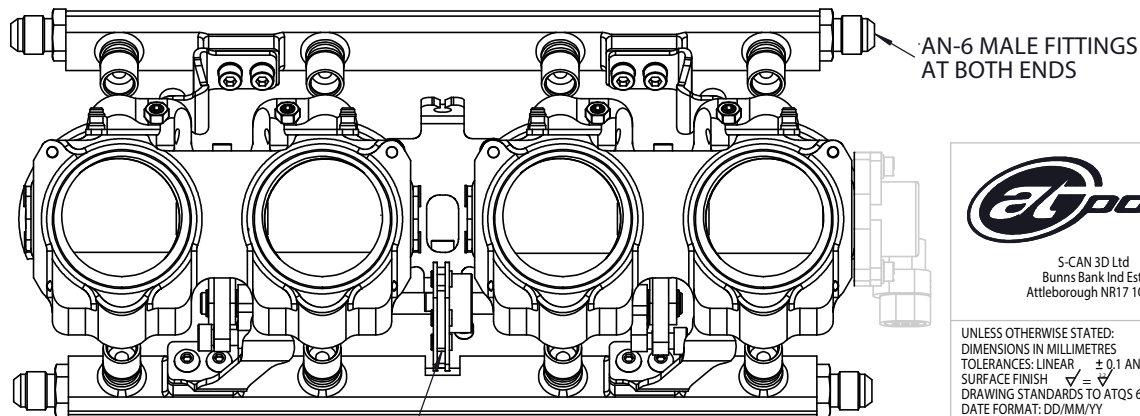
TPS OPTIONS AVAILABLE  
 CAN BE FITTED BOTH ENDS



BRACKET FITTED IS SUITABLE  
 FOR OEM FUEL INJECTORS



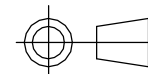
BRACKETS FITTED TO  
 SUITE OEM FUEL INJECTORS



CENTRE PULL CABLE  
 LINKAGE



S-CAN 3D Ltd  
 Bunn's Bank Ind Est  
 Attleborough NR17 1QD



THIRD ANGLE PROJECTION

SCALE 1:2 WEIGHT 3.015 kg

DRAWN - S.HOW

DATE - 20/03/26

CHECKED - S.HOW

APPROVED - S.HOW

UNLESS OTHERWISE STATED:  
 DIMENSIONS IN MILLIMETRES  
 TOLERANCES: LINEAR  $\pm 0.1$  ANGULAR  $\pm 0.5^\circ$   
 SURFACE FINISH  $\sqrt{\text{V}}$   
 DRAWING STANDARDS TO ATQS 6003  
 DATE FORMAT: DD/MM/YY

THIS DESIGN IS THE PROPERTY OF  
 S-CAN 3D LTD AND MUST NOT BE  
 REPRODUCED OR COMMUNICATED  
 WITHOUT AUTHORITY

CAD PLOT  
 DO NOT  
 SCALE

MATERIAL

SEE COMPONENT PARTS

FINISH

SEE COMPONENT PARTS

DRAWING TITLE

ASSY - SUZUKI HAYABUSA GEN-2  
 - 45MM 8 OEM INJ - PRE-  
 CONFIGURED - CAR

DRAWING NUMBER

102-102-00666