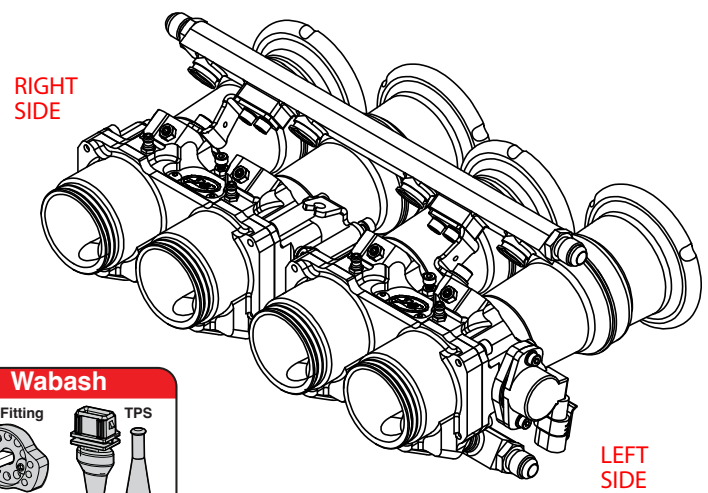


MEGAFLOW AIR FILTER SOLD SEPERATLY
 JC50/S65
 PART No. 102-108-00039

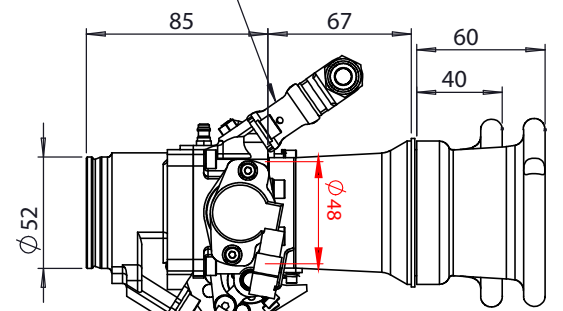


TPS OPTIONS AVAILABLE
 CAN BE FITTED BOTH ENDS:

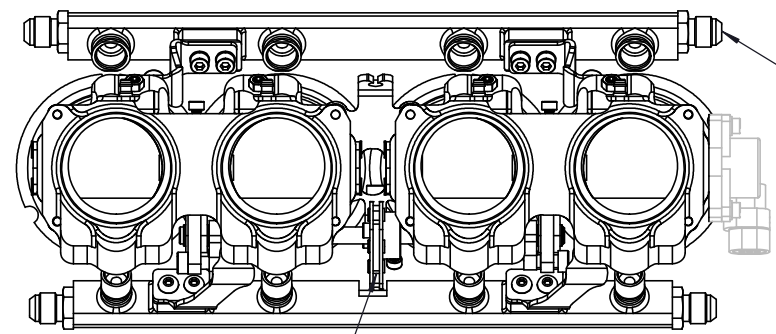
4 X 6MM VACUUM
 TAKE OFF FITTINGS

Magneti Marelli Type		Wabash	
Fitting	TPS	Fitting	TPS
Variohm XPD			
Fitting	TPS		

BRACKET FITTED IS SUITABLE
 FOR PECO FUEL INJECTORS



BRACKETS FITTED TO
 SUITE OEM FUEL INJECTORS



AN-6 MALE FITTINGS
 AT BOTH ENDS

CENTRE PULL CABLE
 LINKAGE

 S-CAN 3D Ltd Bunn's Bank Ind Est Attleborough NR17 1QD	 THIRD ANGLE PROJECTION	MATERIAL	SEE COMPONENT PARTS
		FINISH	SEE COMPONENT PARTS
UNLESS OTHERWISE STATED: DIMENSIONS IN MILLIMETRES TOLERANCES: LINEAR ±0.1 ANGULAR ±0.5° SURFACE FINISH √ = √ DRAWING STANDARDS TO ATQS 6003 DATE FORMAT: DD/MM/YY THIS DESIGN IS THE PROPERTY OF S-CAN 3D LTD AND MUST NOT BE REPRODUCED OR COMMUNICATED WITHOUT AUTHORITY	SCALE	WEIGHT	DRAWING TITLE ASSY - SUZUKI HAYABUSA GEN-2 - 48MM 4 PICO + 4 OEM INJ - PRE-CONFIGURED - CAR
	1:2.5	3.179 kg	
	DATE -	20/03/26	
CAD PLOT DO NOT SCALE	APPROVED -	S.HOW	DRAWING NUMBER
			102-102-00667