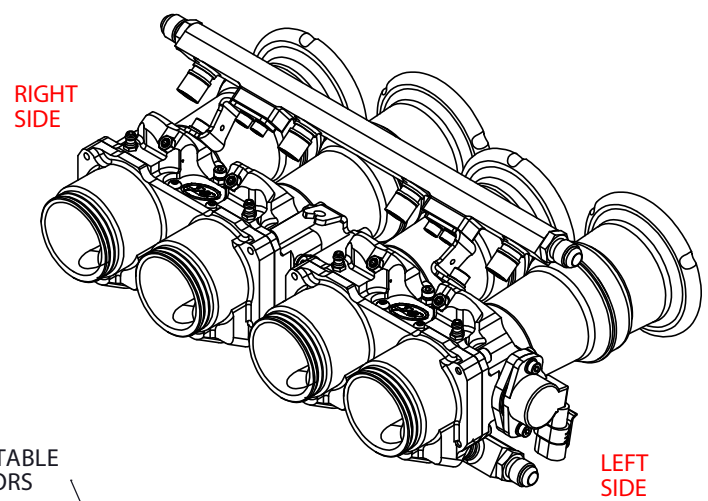
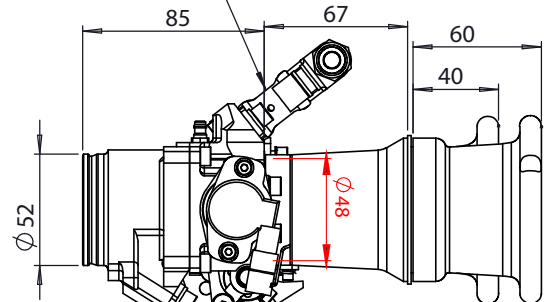
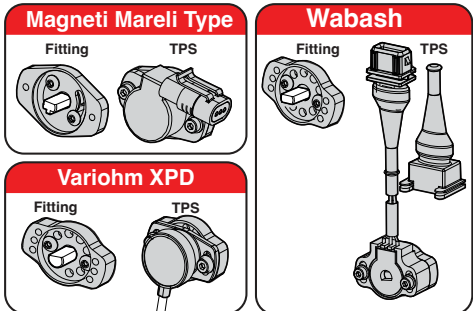


MEGAFLOW AIR FILTER SOLD SEPERATLY
 JC50/S65
 PART No. 102-108-00039

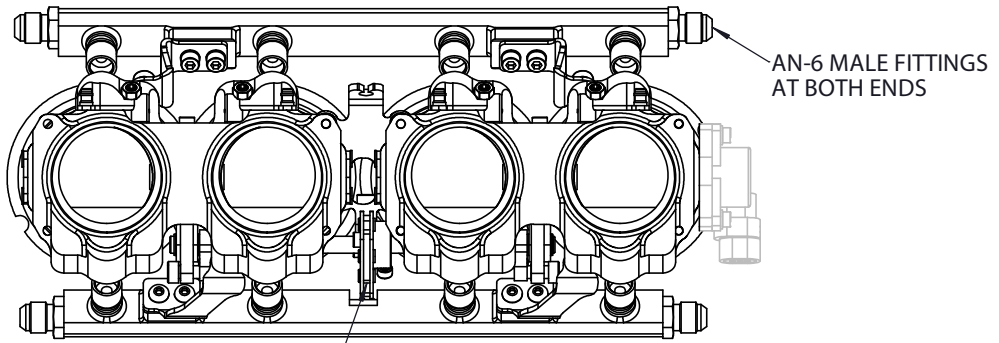


TPS OPTIONS AVAILABLE
 CAN BE FITTED BOTH ENDS

4 X 6MM VACUUM



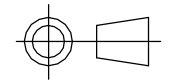
TAKE OFF FITTINGS



BRACKETS FITTED TO
 SUITE OEM FUEL INJECTORS



S-CAN 3D Ltd
 Bunn's Bank Ind Est
 Attleborough NR17 1QD



THIRD ANGLE PROJECTION

SCALE 1:2.5 WEIGHT 3.228 kg

DRAWN- S.HOW

DATE- 20/03/26

CHECKED- S.HOW

APPROVED- S.HOW

UNLESS OTHERWISE STATED:
 DIMENSIONS IN MILLIMETRES
 TOLERANCES: LINEAR ±0.1 ANGULAR ±0.5°
 SURFACE FINISH √ = √
 DRAWING STANDARDS TO ATQS 6003
 DATE FORMAT: DD/MM/YY

THIS DESIGN IS THE PROPERTY OF
 S-CAN 3D LTD AND MUST NOT BE
 REPRODUCED OR COMMUNICATED
 WITHOUT AUTHORITY

CAD PLOT
 DO NOT
 SCALE

MATERIAL
 SEE COMPONENT PARTS

FINISH
 SEE COMPONENT PARTS

DRAWING TITLE
**ASSY - SUZUKI HAYABUSA GEN-2
 - 48MM 8 OEM INJ - PRE-
 CONFIGURED - CAR**

DRAWING NUMBER
102-102-00668