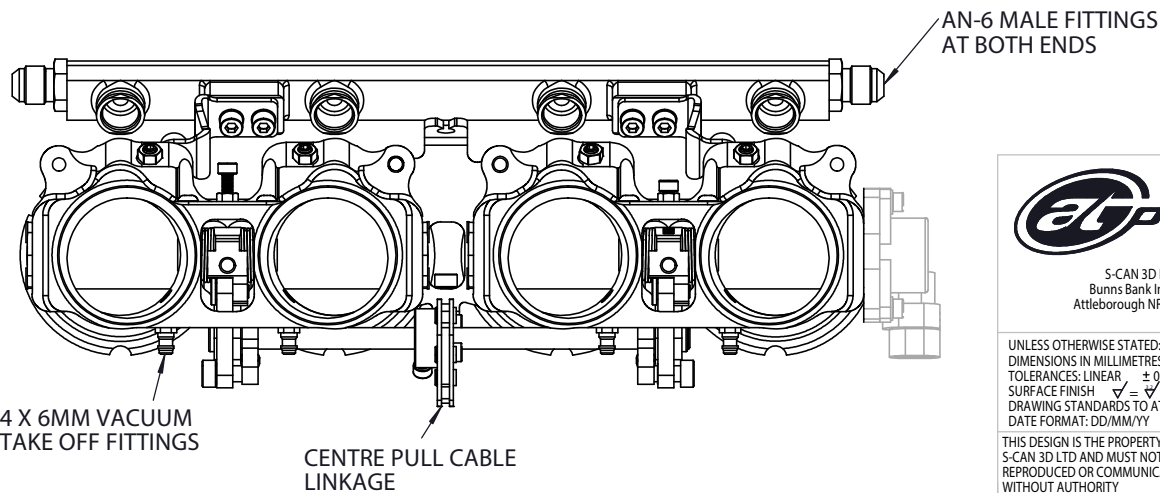
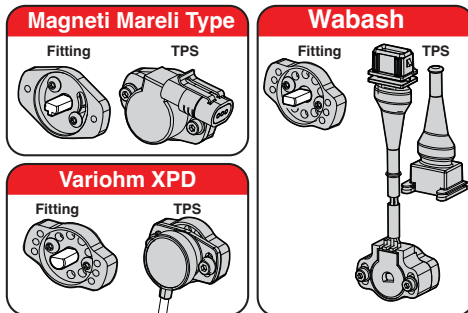
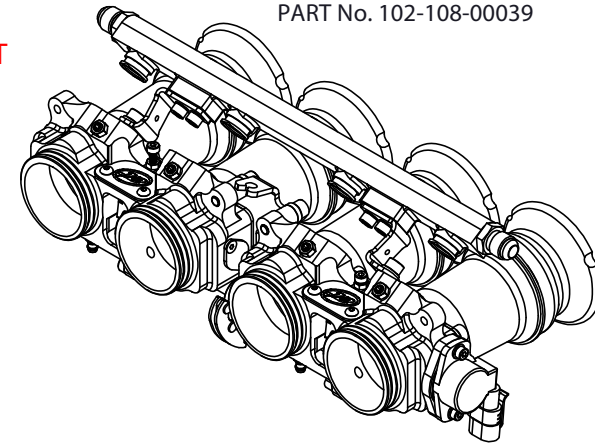


TPS OPTIONS AVAILABLE
CAN BE FITTED BOTH ENDS



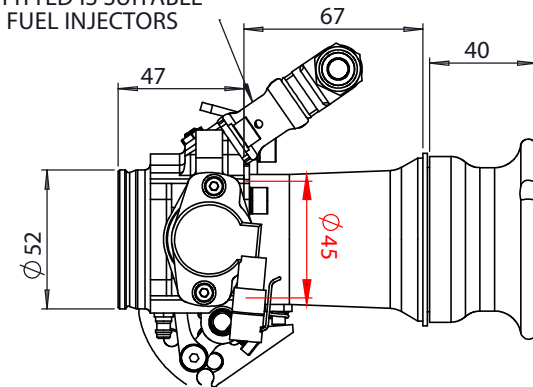
MEGAFLOW AIR FILTER SOLD SEPERATLY
JC50/S65
PART No. 102-108-00039

RIGHT
SIDE



LEFT
SIDE

BRACKET FITTED IS SUITABLE
FOR PICO FUEL INJECTORS



<p>S-CAN 3D Ltd Bunns Bank Ind Est Attleborough NR17 1QD</p>	<p>THIRD ANGLE PROJECTION</p>		MATERIAL	SEE COMPONENT PARTS
	SCALE 1:2	WEIGHT 2.070 kg	FINISH	SEE COMPONENT PARTS
<p>UNLESS OTHERWISE STATED: DIMENSIONS IN MILLIMETRES TOLERANCES: LINEAR ±0.1 ANGULAR ±0.5° SURFACE FINISH ✓ = ✓ DRAWING STANDARDS TO ATQS 6003 DATE FORMAT: DD/MM/YY</p> <p>THIS DESIGN IS THE PROPERTY OF S-CAN 3D LTD AND MUST NOT BE REPRODUCED OR COMMUNICATED WITHOUT AUTHORITY</p>	DRAWN -	S.HOW	DRAWING TITLE	ASSY - SUZUKI HAYABUSA GEN-2 - 45MM SINGLE ROW STD INJ - PRE-CONFIGURED - CAR
	DATE -	20/03/26		
	CHECKED -	S.HOW		
	APPROVED -	S.HOW		
	CAD PLOT DO NOT SCALE			SHEET 2 OF 2 A3