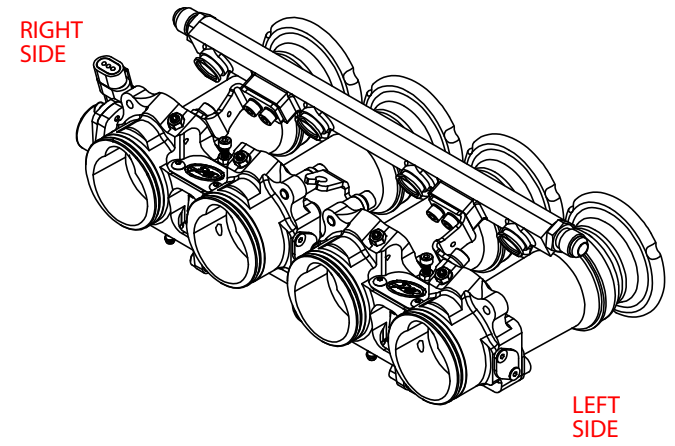


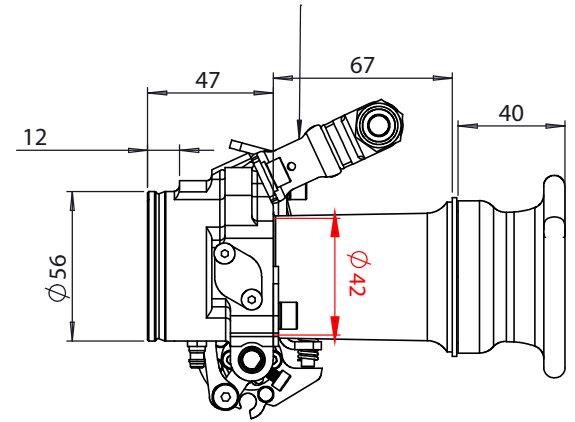
TPS OPTIONS AVAILABLE
CAN BE FITTED BOTH ENDS

Magneti Marelli Type		Wabash	
Fitting	TPS	Fitting	TPS
Variomh XPD			
Fitting	TPS		

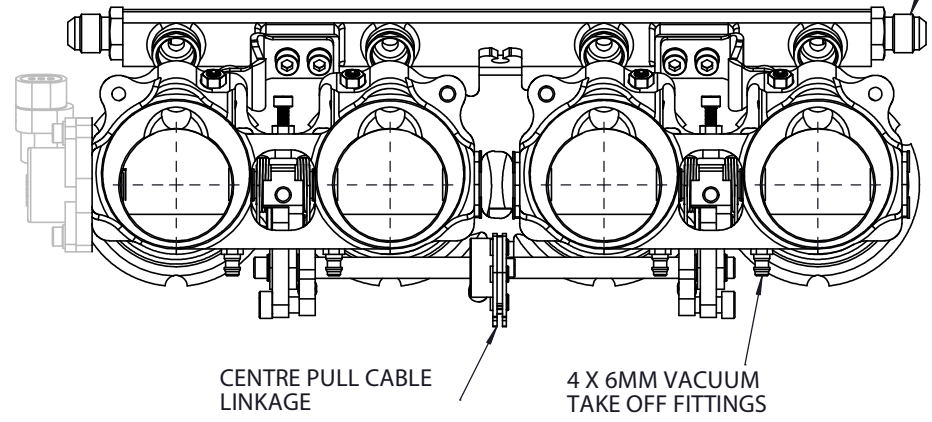
MEGAFLOW AIR FILTER SOLD SEPERATLY
JC50/S65
PART No. 102-108-00039



BRACKET FITTED IS SUITABLE
FOR PICO FUEL INJECTORS



AN-6 MALE FITTINGS
AT BOTH ENDS



<p>S-CAN 3D Ltd Bunns Bank Ind Est Attleborough NR17 1QD</p>	<p>THIRD ANGLE PROJECTION</p>	MATERIAL	
		SEE COMPONENT PARTS	
<p>UNLESS OTHERWISE STATED: DIMENSIONS IN MILLIMETRES TOLERANCES: LINEAR ± 0.1 ANGULAR $\pm 0.5^\circ$ SURFACE FINISH $\sqrt{}$ = $\sqrt{}$ DRAWING STANDARDS TO ATQS 6003 DATE FORMAT: DD/MM/YY</p>	SCALE	WEIGHT	FINISH SEE COMPONENT PARTS
	1:2	2.059 kg	
<p>THIS DESIGN IS THE PROPERTY OF S-CAN 3D LTD AND MUST NOT BE REPRODUCED OR COMMUNICATED WITHOUT AUTHORITY</p>	DRAWN-	S.SHOW	DRAWING TITLE ASSY - SUZUKI HAYABUSA GEN-1 - 42MM STD INJ - PRE- CONFIGURED - BIKE
	DATE-	23/03/26	
	CHECKED-	S.SHOW	
CAD PLOT DO NOT SCALE	APPROVED-	S.SHOW	DRAWING NUMBER
			102-102-00670