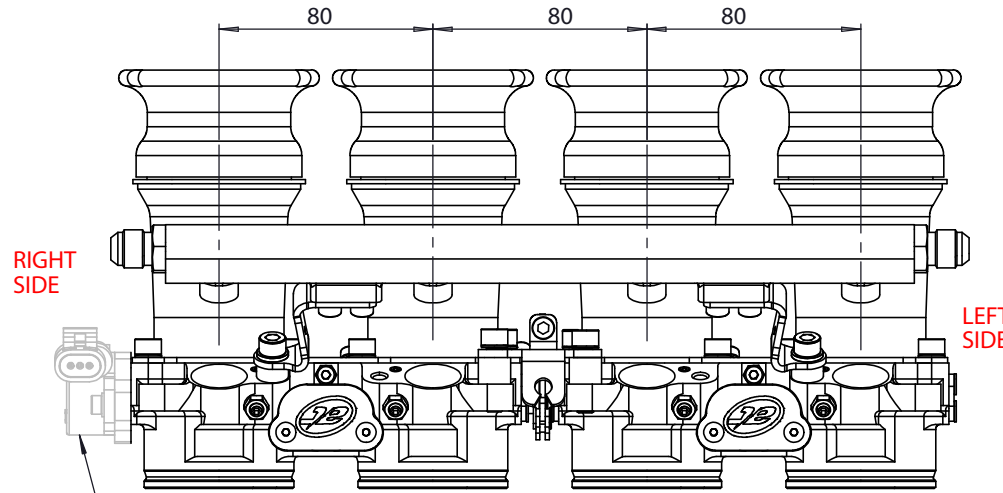


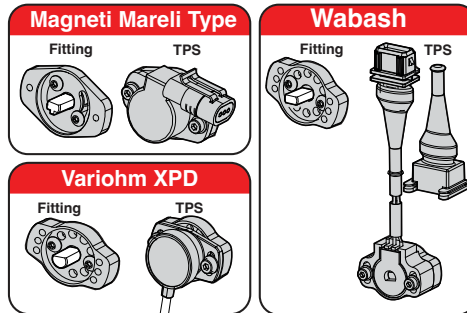
MEGAFLOW AIR FILTER SOLD SEPERATLY  
 JC50/S65  
 PART No. 102-108-00039



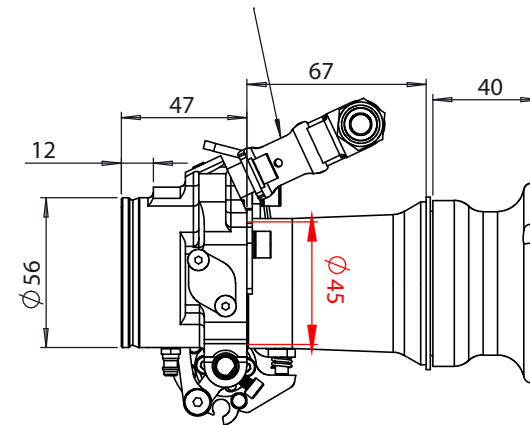
RIGHT SIDE

LEFT SIDE

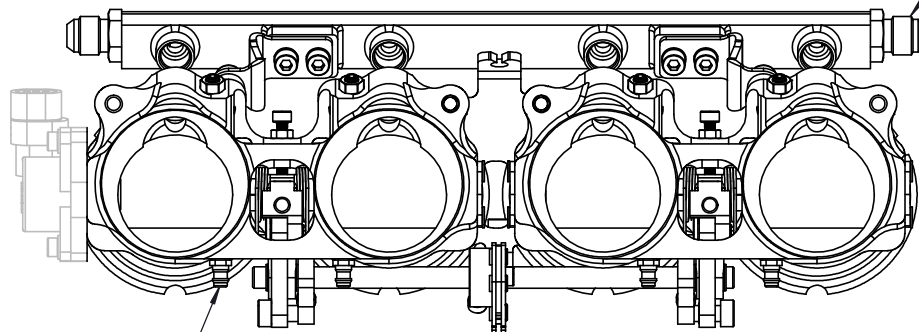
TPS OPTIONS AVAILABLE  
 CAN BE FITTED BOTH ENDS



BRACKET FITTED IS SUITABLE  
 FOR PICO FUEL INJECTORS



AN-6 MALE FITTINGS  
 AT BOTH ENDS

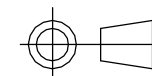


4 X 6MM VACUUM  
 TAKE OFF FITTINGS

CENTRE PULL CABLE  
 LINKAGE



S-CAN 3D Ltd  
 Bunn's Bank Ind Est  
 Attleborough NR17 1QD



THIRD ANGLE PROJECTION

SCALE 1:2 WEIGHT 2.032 kg

DRAWN- S.HOW

DATE- 23/03/26

CHECKED- S.HOW

APPROVED- S.HOW

UNLESS OTHERWISE STATED:  
 DIMENSIONS IN MILLIMETRES  
 TOLERANCES: LINEAR ±0.1 ANGULAR ±0.5°  
 SURFACE FINISH ✓ = ✓  
 DRAWING STANDARDS TO ATQS 6003  
 DATE FORMAT: DD/MM/YY

THIS DESIGN IS THE PROPERTY OF  
 S-CAN 3D LTD AND MUST NOT BE  
 REPRODUCED OR COMMUNICATED  
 WITHOUT AUTHORITY

CAD PLOT  
 DO NOT  
 SCALE

MATERIAL

SEE COMPONENT PARTS

FINISH

SEE COMPONENT PARTS

DRAWING TITLE

ASSY - SUZUKI HAYABUSA  
 GEN-1 - **45MM OEM INJ** -  
 PRE-CONFIGURED - BIKE

DRAWING NUMBER

102-102-00673