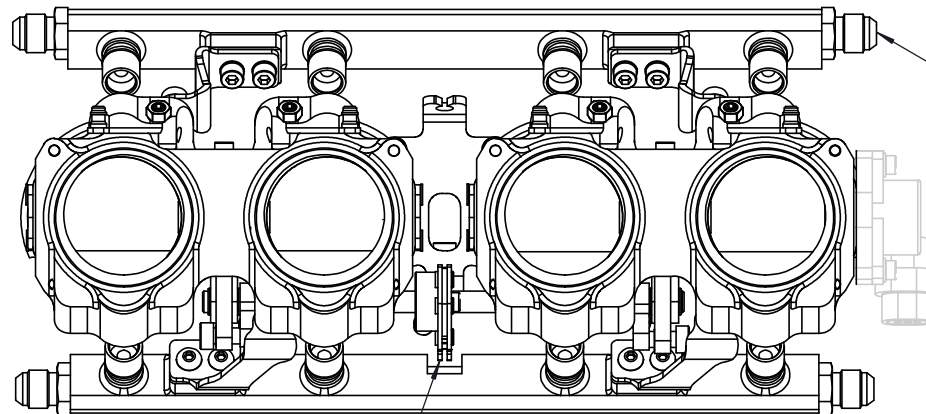
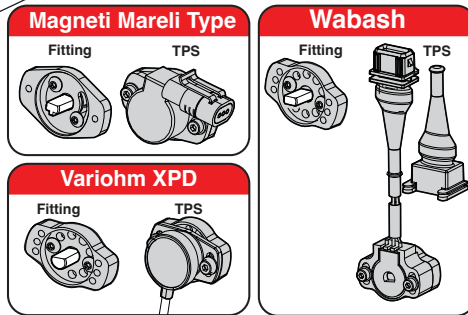


RIGHT SIDE

LEFT SIDE

4 X 6MM VACUUM TAKE OFF FITTINGS

TPS OPTIONS AVAILABLE CAN BE FITTED BOTH ENDS:



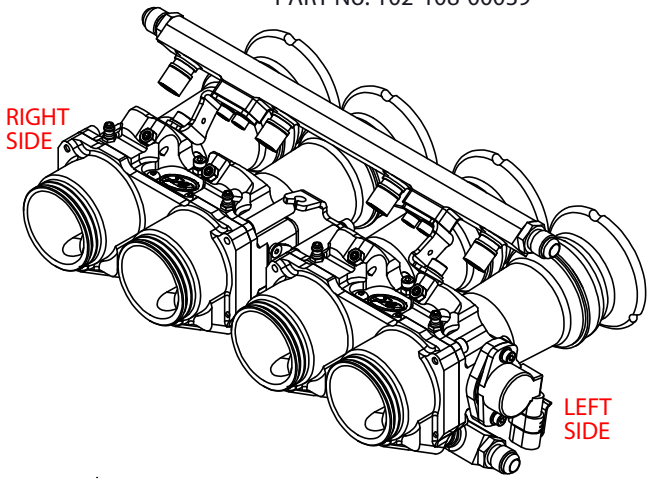
CENTRE PULL CABLE LINKAGE

AN-6 MALE FITTINGS AT BOTH ENDS

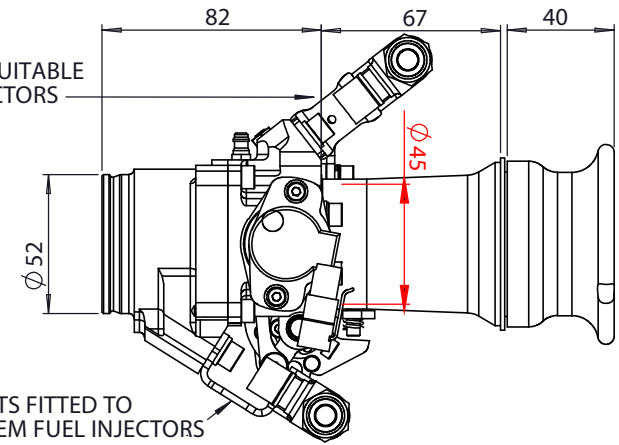
MEGAFLOW AIR FILTER SOLD SEPERATLY
JC50/S65
PART No. 102-108-00039

RIGHT SIDE


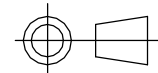
LEFT SIDE



BRACKET FITTED IS SUITABLE FOR OEM FUEL INJECTORS



BRACKETS FITTED TO SUITE OEM FUEL INJECTORS

 S-CAN 3D Ltd Bunn's Bank Ind Est Attleborough NR17 1QD	 THIRD ANGLE PROJECTION	MATERIAL	SEE COMPONENT PARTS
	UNLESS OTHERWISE STATED: DIMENSIONS IN MILLIMETRES TOLERANCES: LINEAR ± 0.1 ANGULAR $\pm 0.5^\circ$ SURFACE FINISH $\sqrt{\text{V}}$ DRAWING STANDARDS TO ATQS 6003 DATE FORMAT: DD/MM/YY THIS DESIGN IS THE PROPERTY OF S-CAN 3D LTD AND MUST NOT BE REPRODUCED OR COMMUNICATED WITHOUT AUTHORITY	WEIGHT 3.001 kg	FINISH
CAD PLOT DO NOT SCALE	DRAWN - S.HOW	DRAWING TITLE	
	DATE - 23/03/26	ASSY - SUZUKI HAYABUSA GEN-2 -45MM 8 OEM INJ - PRE- CONFIGURED - BIKE	
	CHECKED - S.HOW	DRAWING NUMBER	
APPROVED - S.HOW	102-102-00675		